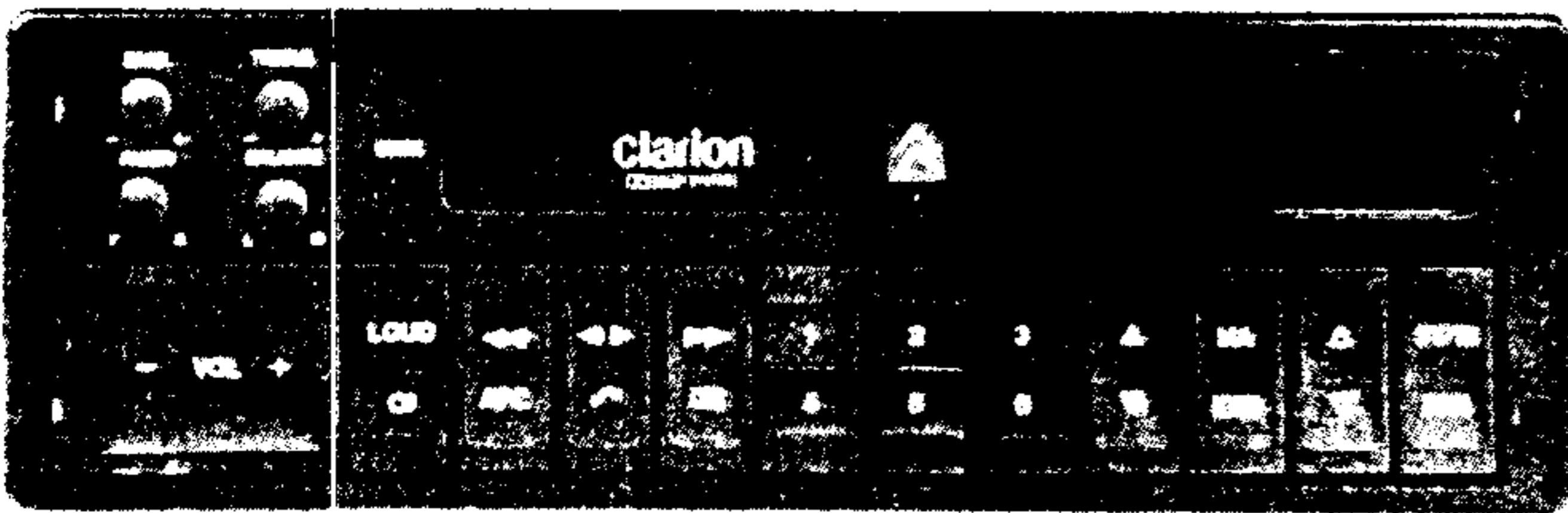


clarion

Service Manual

Published by Service Administration Section



CITROEN
UKW·MPX/MW/LW RADIO
CASSETTE COMBINATION
 Model **PU-9358A-A**

■ SPECIFICATIONS:

Radio section

Circuit system:	Superheterodyne
Tuning system:	Electronic tuning
Receiving frequency:	MW 531 to 1602kHz LW 153 to 281kHz UKW 87.5 to 108MHz
Intermediate frequency:	MW, LW 459kHz UKW 10.7MHz
Quieting sensitivity:	MW Less than 33dB (at 20dB S/N) LW Less than 40dB (at 20dB S/N) UKW Less than 12dB (at 30dB S/N)
Separation:	UKW More than 20dB
Auto. stop sensitivity:	MW DX 20 to 40dB LO 40 to 60dB LW DX 27 to 47dB LO 47 to 69dB UKW DX 17 to 33dB LO 35 to 55dB

S/N ratio:	Normal	More than 45dB/53dB (Dolby-on)
	Metal	More than 47dB/55dB (Dolby-on)
Wow & flutter:		Less than 0.15% (W.R.M.S)
FF/REW time:		Less than 100sec. (C-60)

Composite

Load impedance:	4Ω×4
Power output:	8W×4 (at 10% dist.) More than 12W×4 (at max. output)
Power supply voltage:	DC. 14.0V Negative ground
Power consumption:	Less than 7A (at max. output) Less than 3mA (at BACK UP)
Dimensions:	Width 178mm Height 50mm Depth 160mm

• Dolby noise reduction manufactured under license from Dolby Laboratories Licensing Corporation.
 • "Dolby" and the double-D symbol  are trademarks of Dolby Laboratories Licensing Corporation.

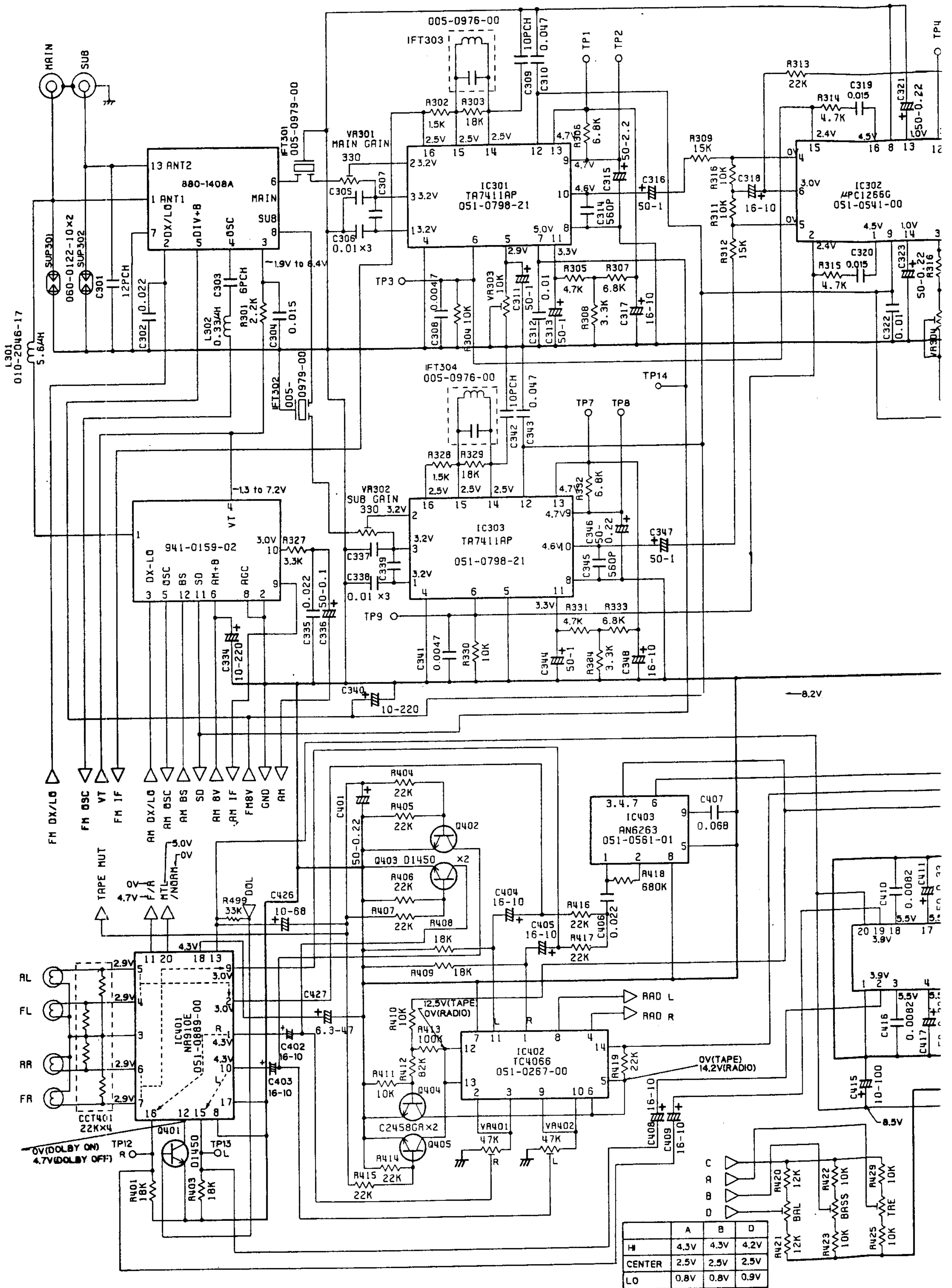
Tape section

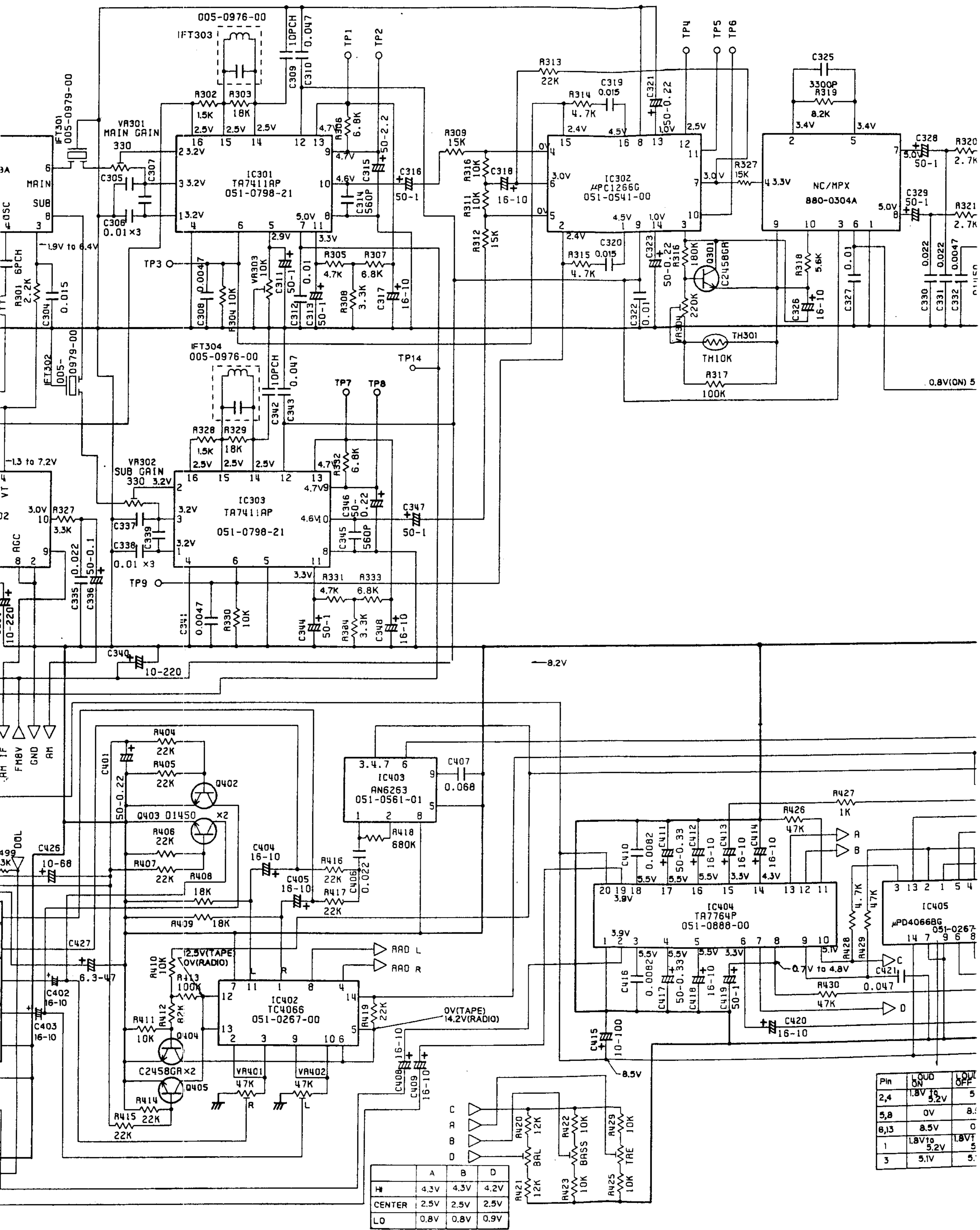
Reproduction system:	Auto reversing 4 track, 2 channel stereo cassette tape playback (Monaural also capable)
Tape speed:	4.76cm/sec. (1-7/8 ips)
Crosstalk:	More than 40dB
Separation:	More than 30dB

■ COMPONENTS:

Main unit		1
Mounting bracket	300-7516-00	1
Removable tool	341-1387-00	2

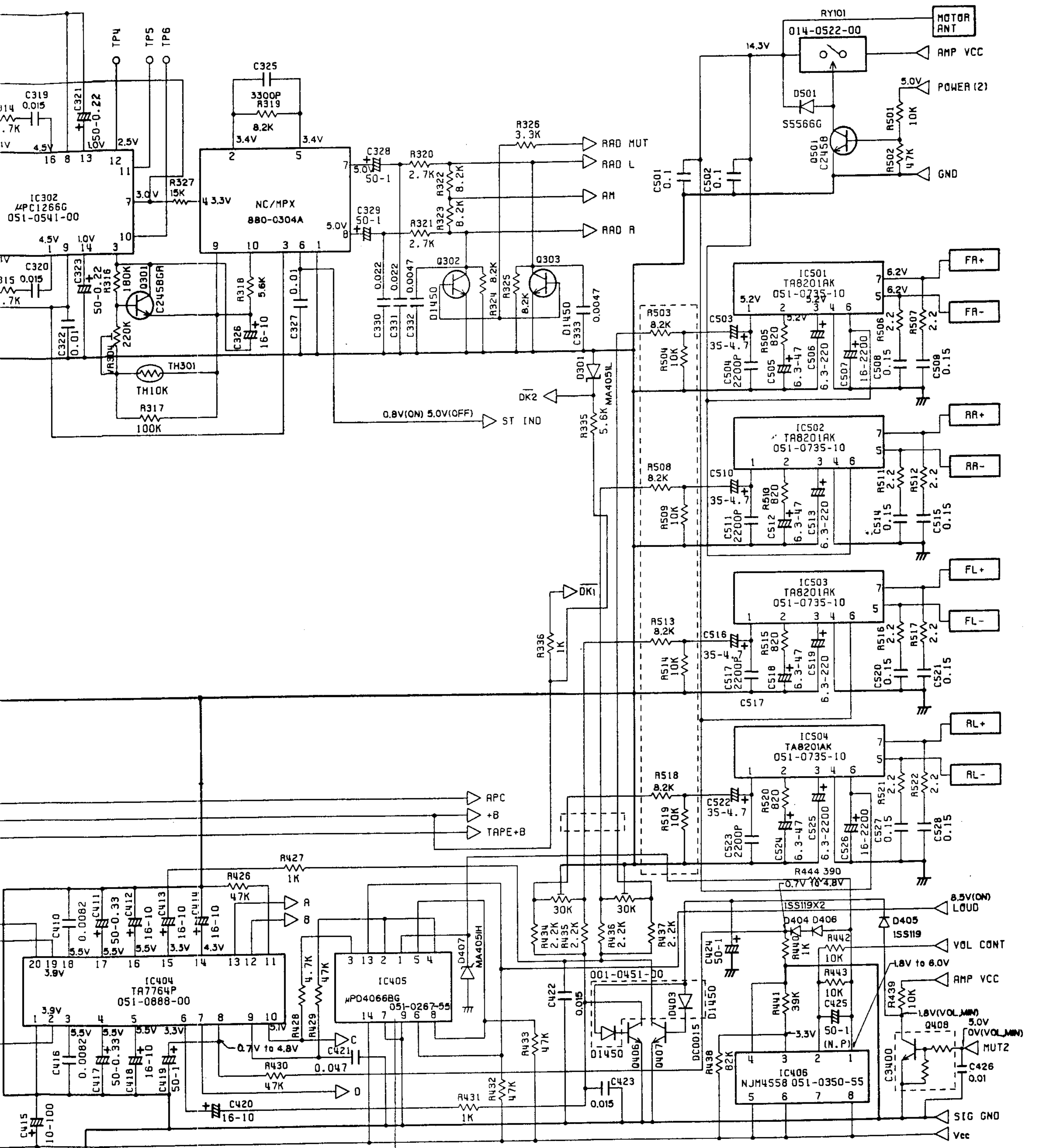
CIRCUIT DIAGRAM: 1/2





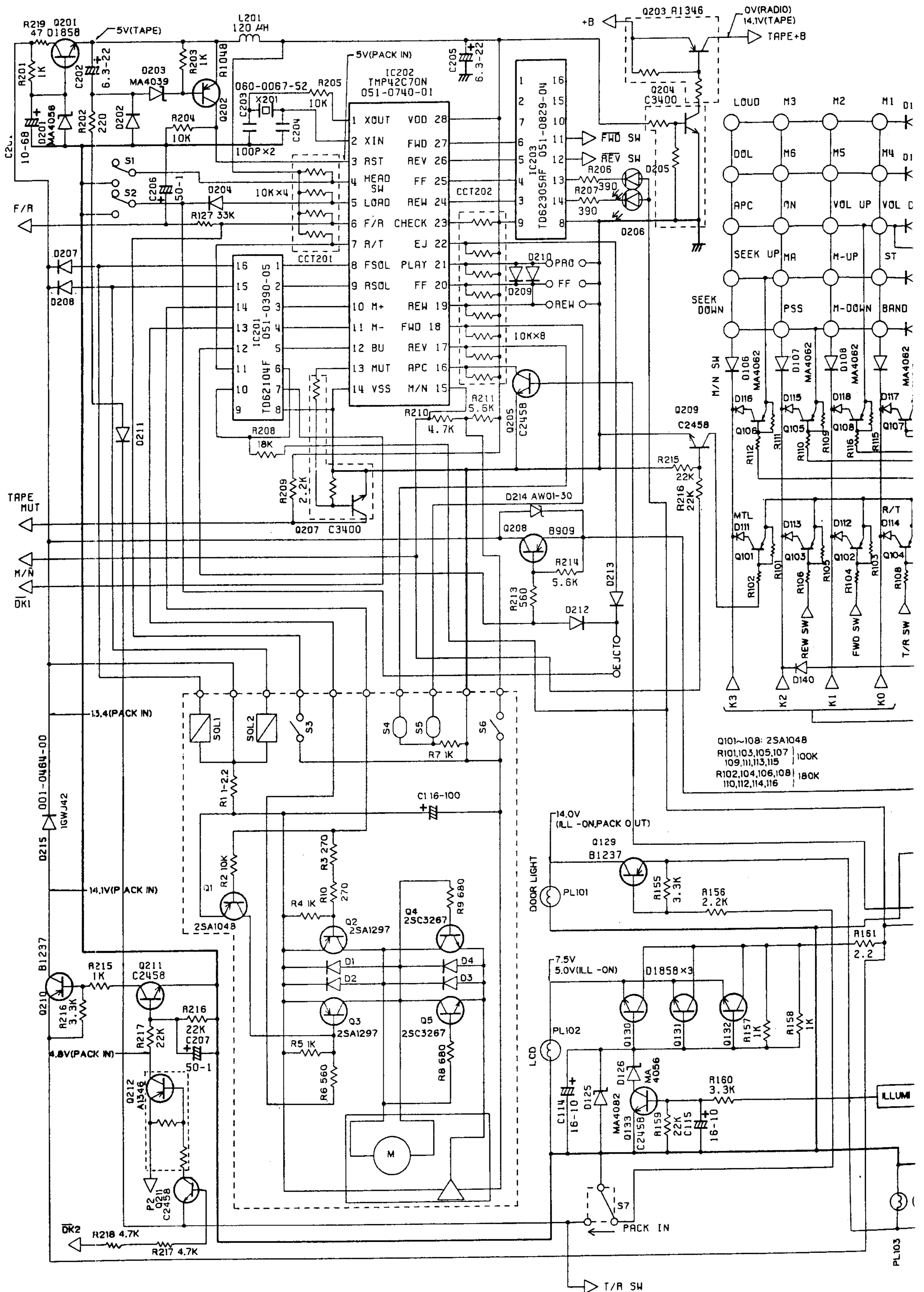
Pin	LOAD ON	LOAD OFF
2,4	1.8V to 3.2V	5
5,8	0V	8:
6,13	8.5V	0
1	1.8V to 3.2V	1.8V
3	5.1V	5:

	A	B	D
H	4.3V	4.3V	4.2V
CENTER	2.5V	2.5V	2.5V
LO	0.8V	0.8V	0.9V

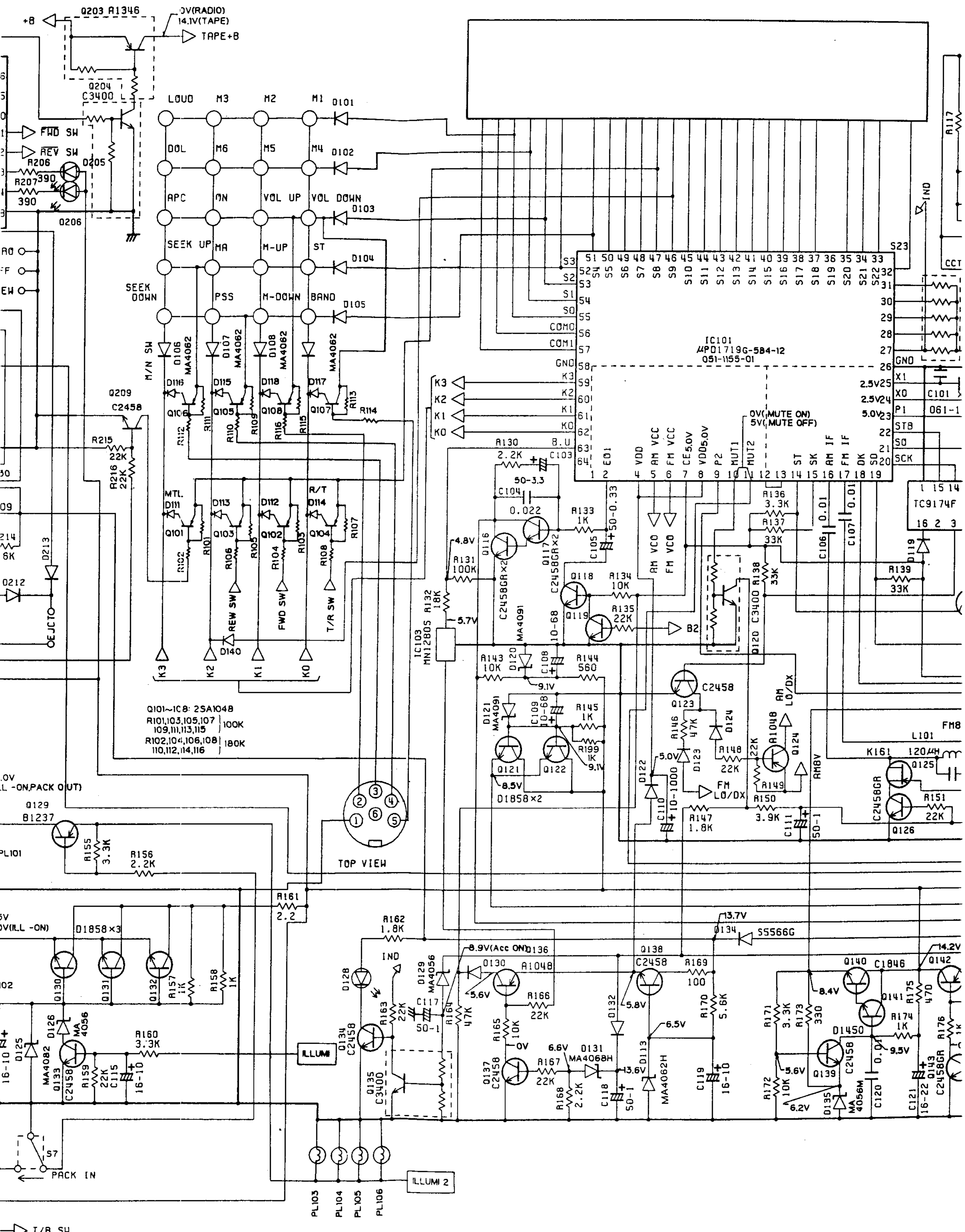


Pin	LOUD ON	LOUD OFF
2,4	1.8V to 5.2V	5.1V
5,8	0V	8.5V
8,13	8.5V	0V
1	1.8V to 5.2V	1.8V to 5.2V
3	5.1V	5.1V

CIRCUIT DIAGRAM: 2/2

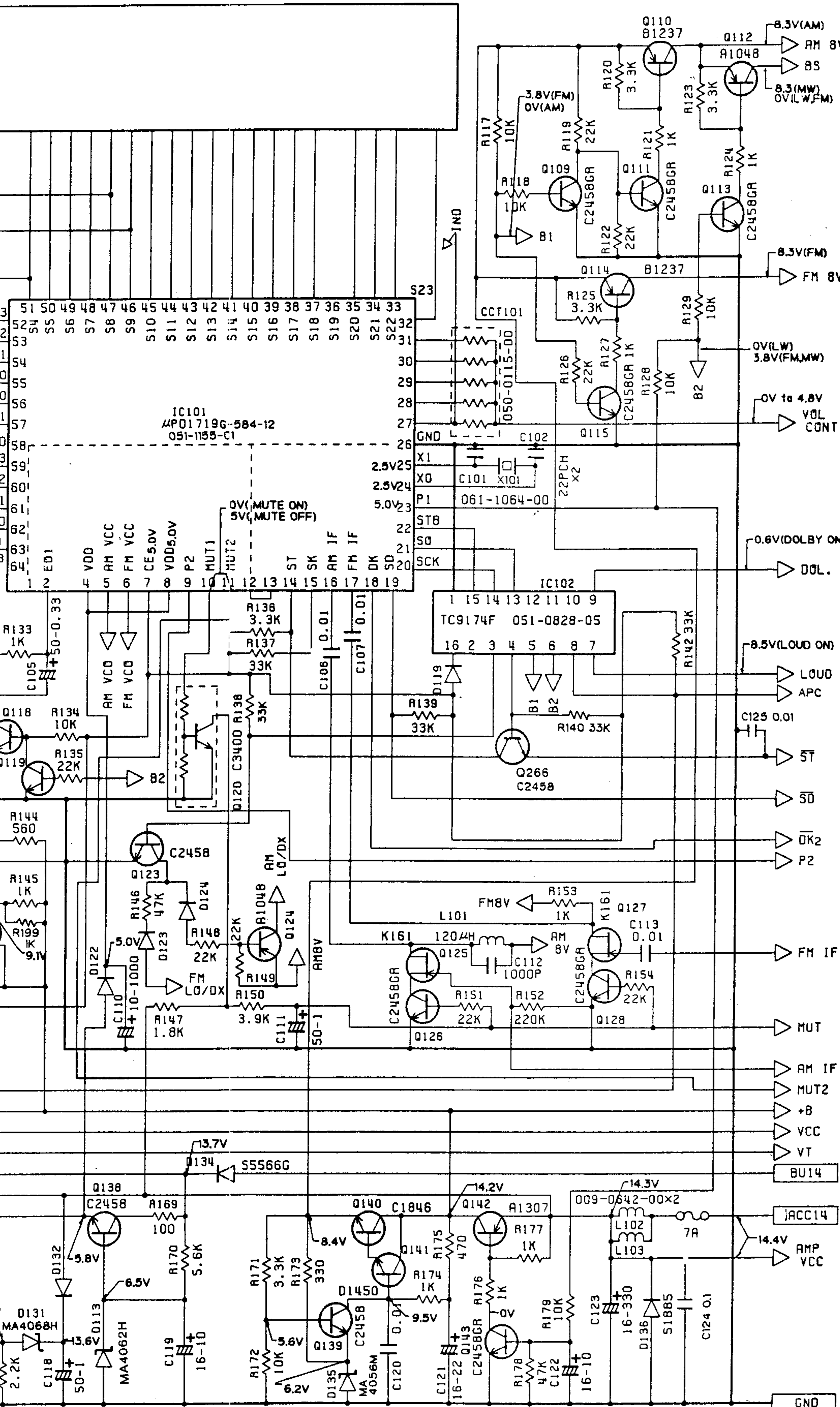


Q101~108: 2SA1048
 R101,103,105,107 100K
 109,111,113,115
 R102,104,106,108 180K
 110,112,114,116

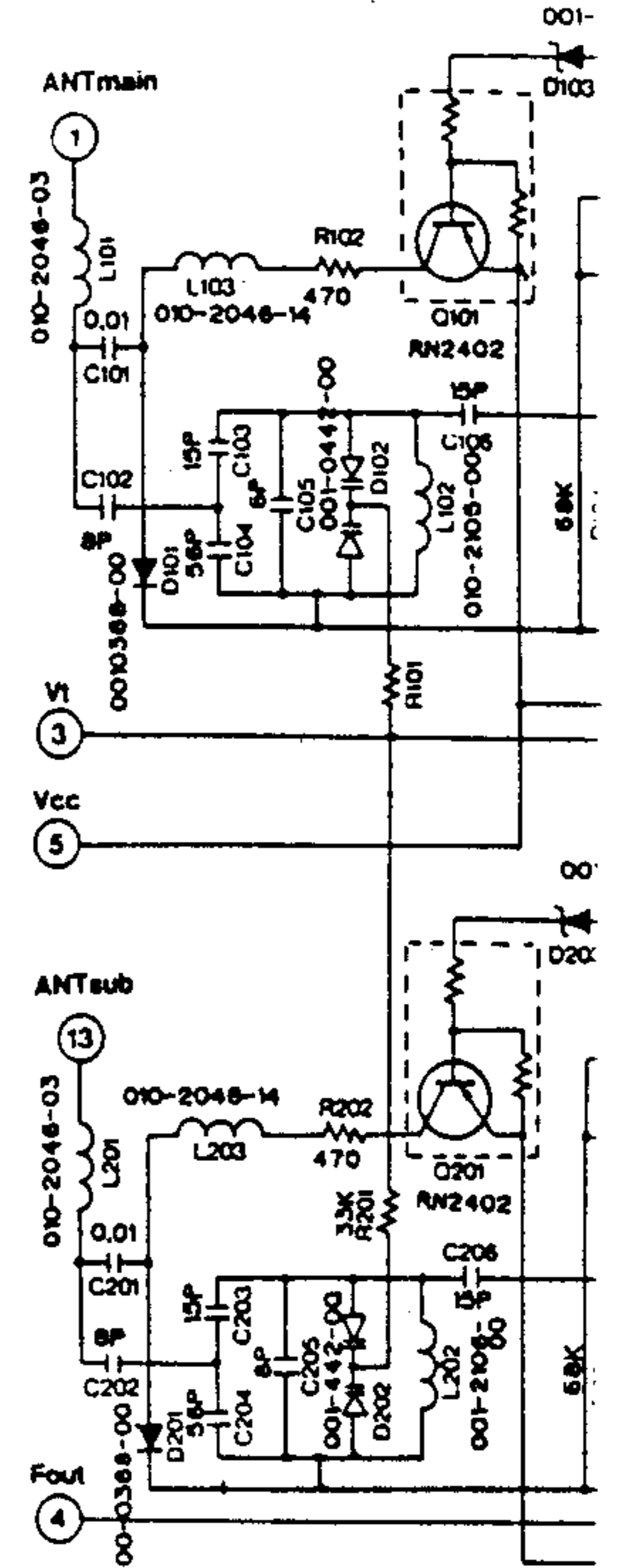


BLOCK CIRCUIT

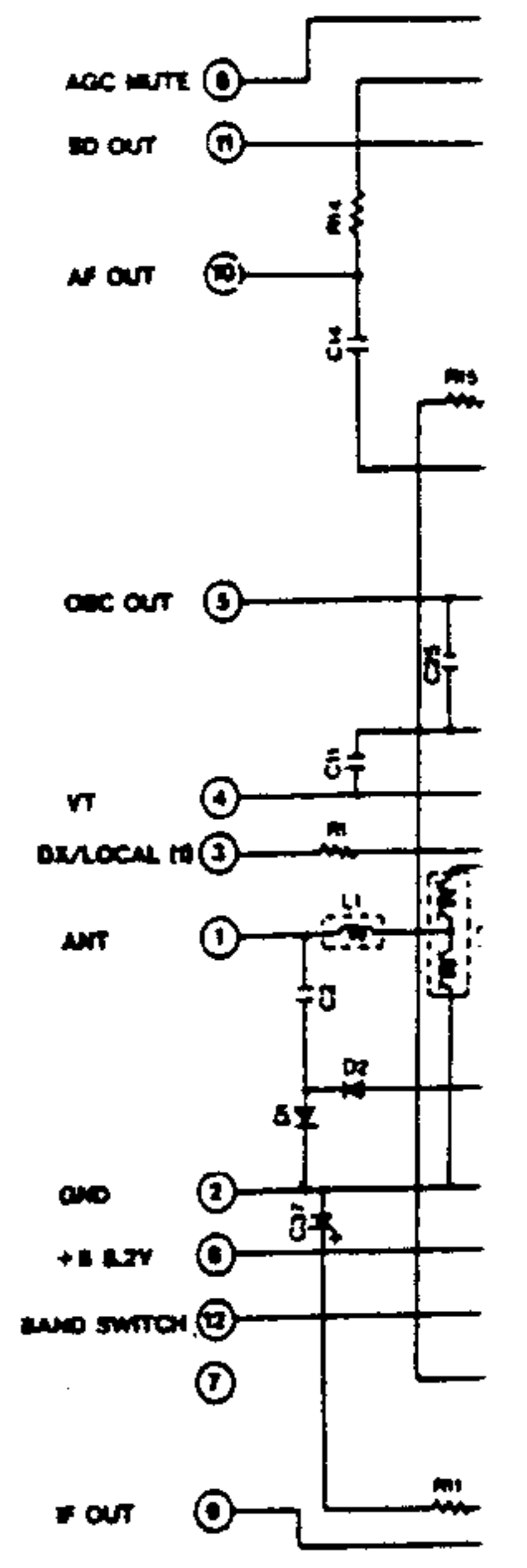
©UKW TUNER PACK: 88



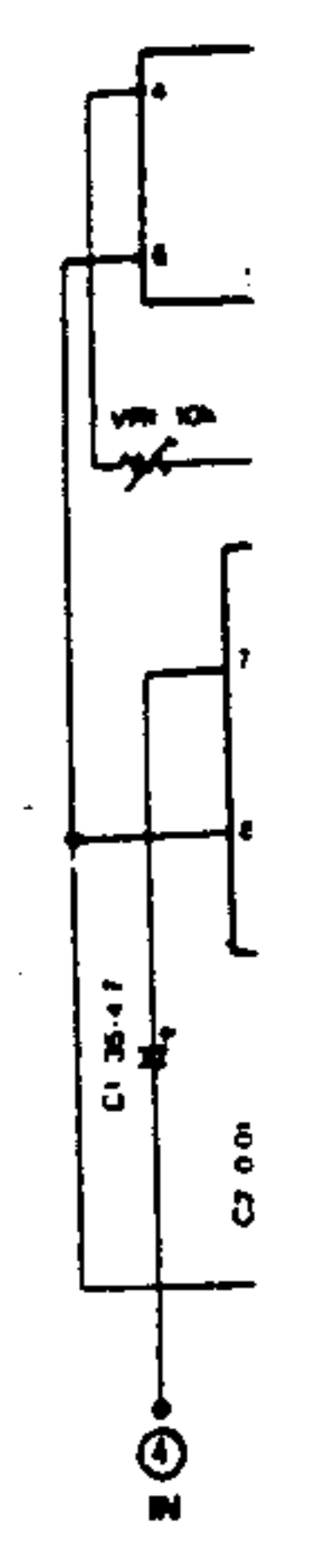
1
2
3
4
5
6
7



©MW/LW TUNER PACK:

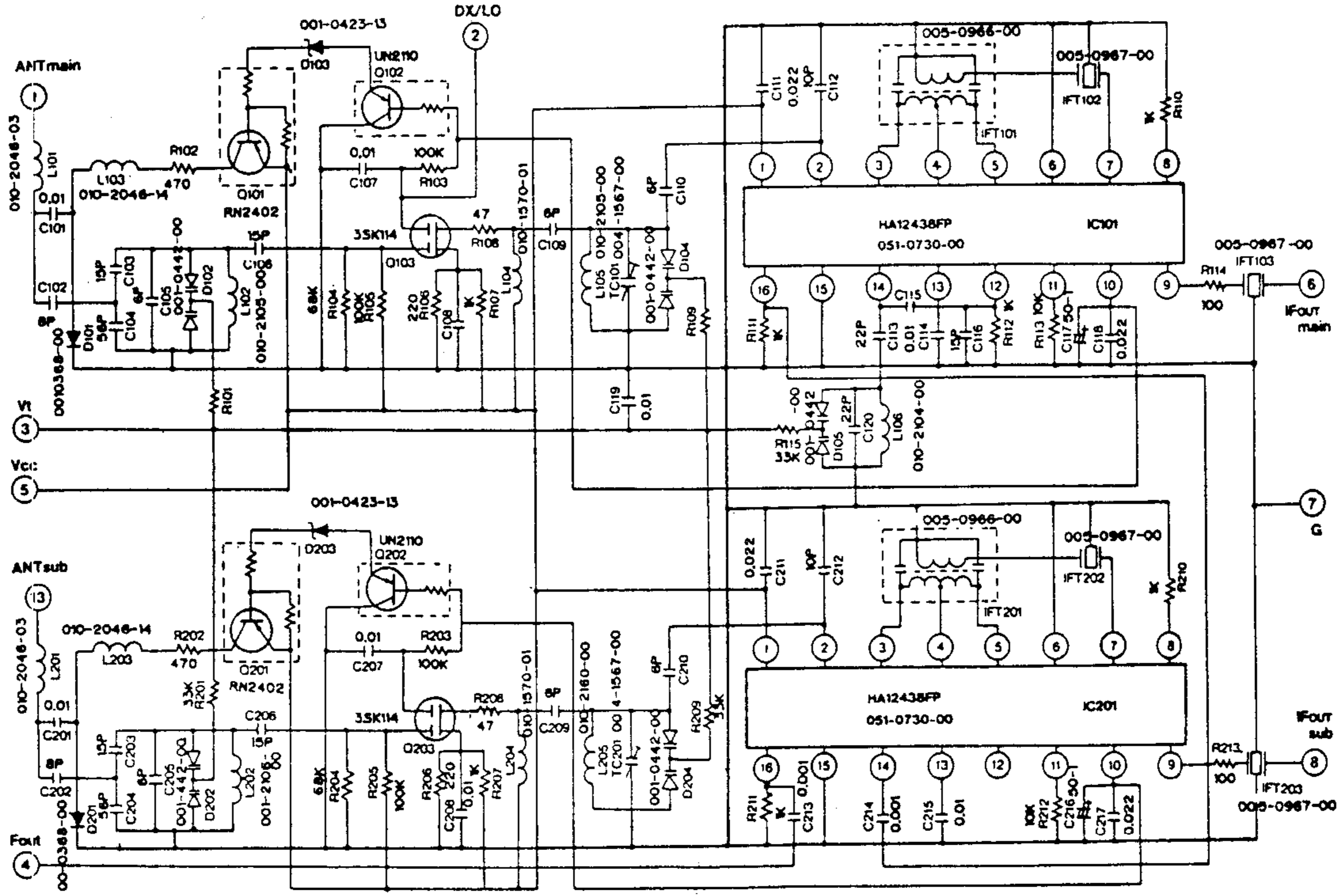


©NC/MPX BLOCK Ass'y:

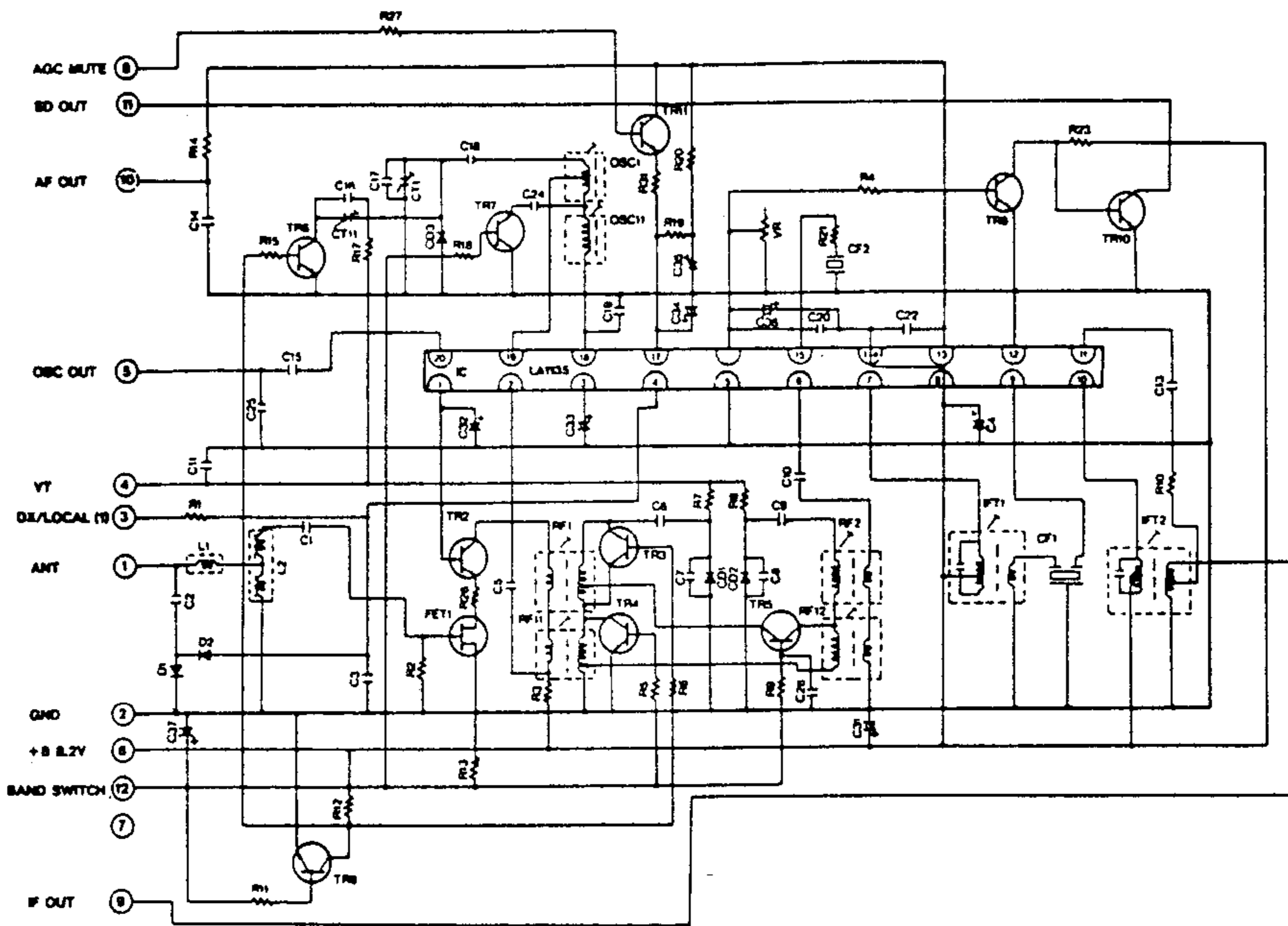


■ BLOCK CIRCUIT DIAGRAM:

©UKW TUNER PACK: 880-1408A



©MW/LW TUNER PACK: 941-0159-02



©NC/MPX BLOCK Ass'y: 880-0304A

