

Schaltbild • Circuit diagramm • Schema du poste • Esquema del aparato

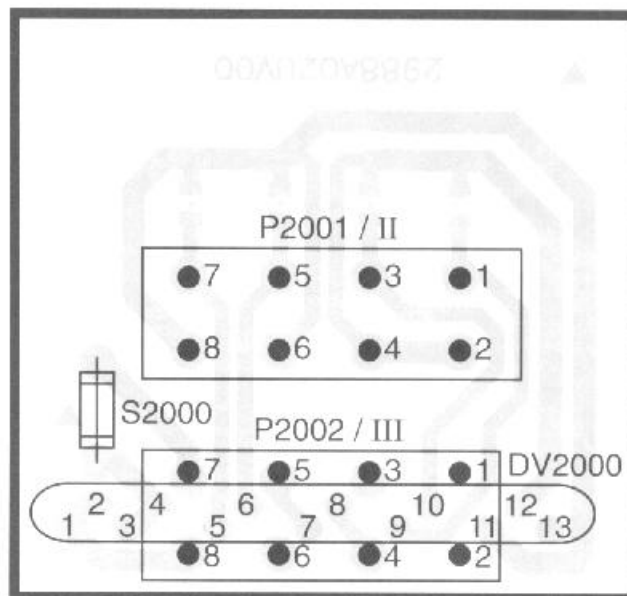
FD 372

Anschlußplatte
Connector board

PL 74



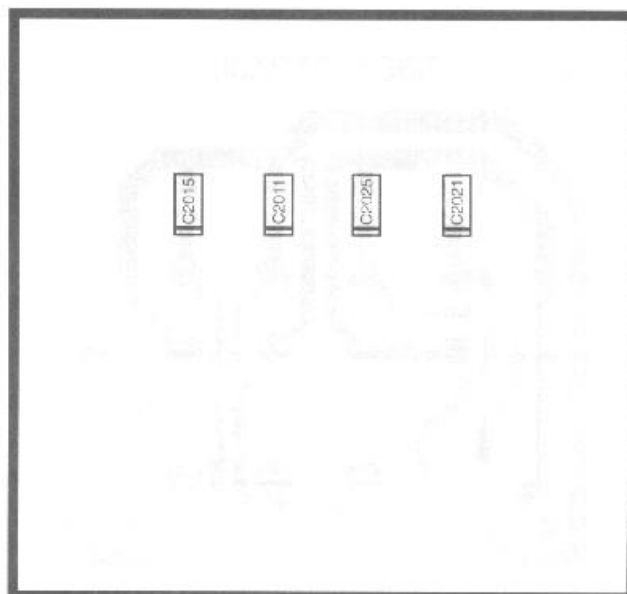
DV2000	
1+2	=GROUND
3+4	=UB
5	=LR
6	=LF
7	=AA
8	=UD
9	=RR
10	=RF
11+12	=NF-GROUND

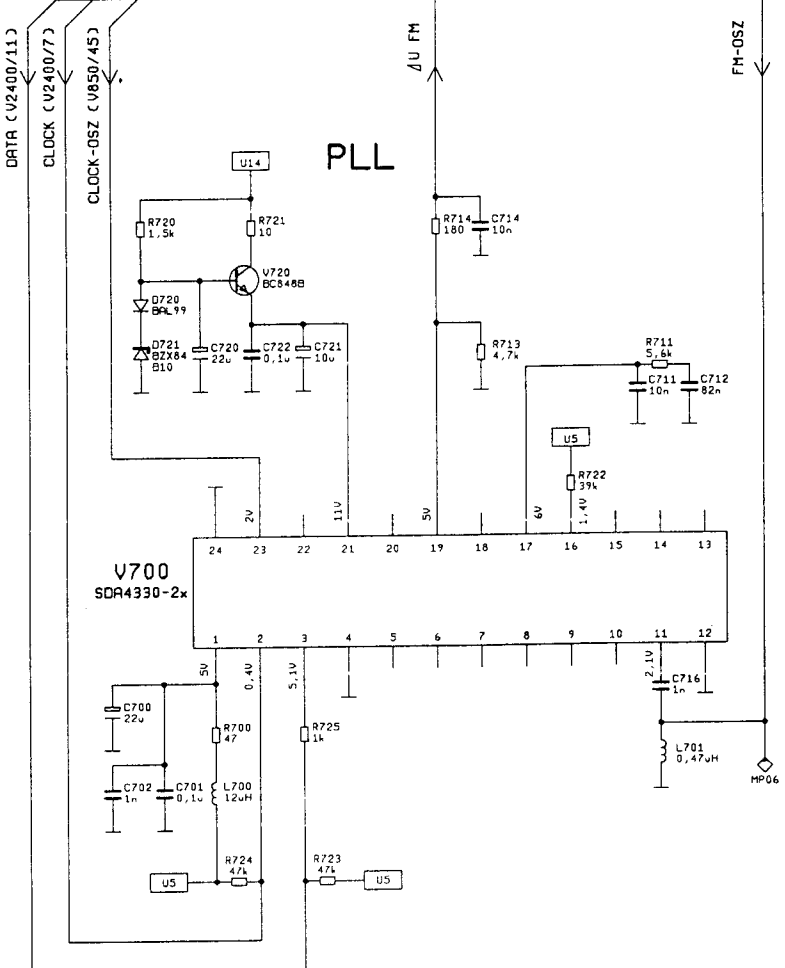
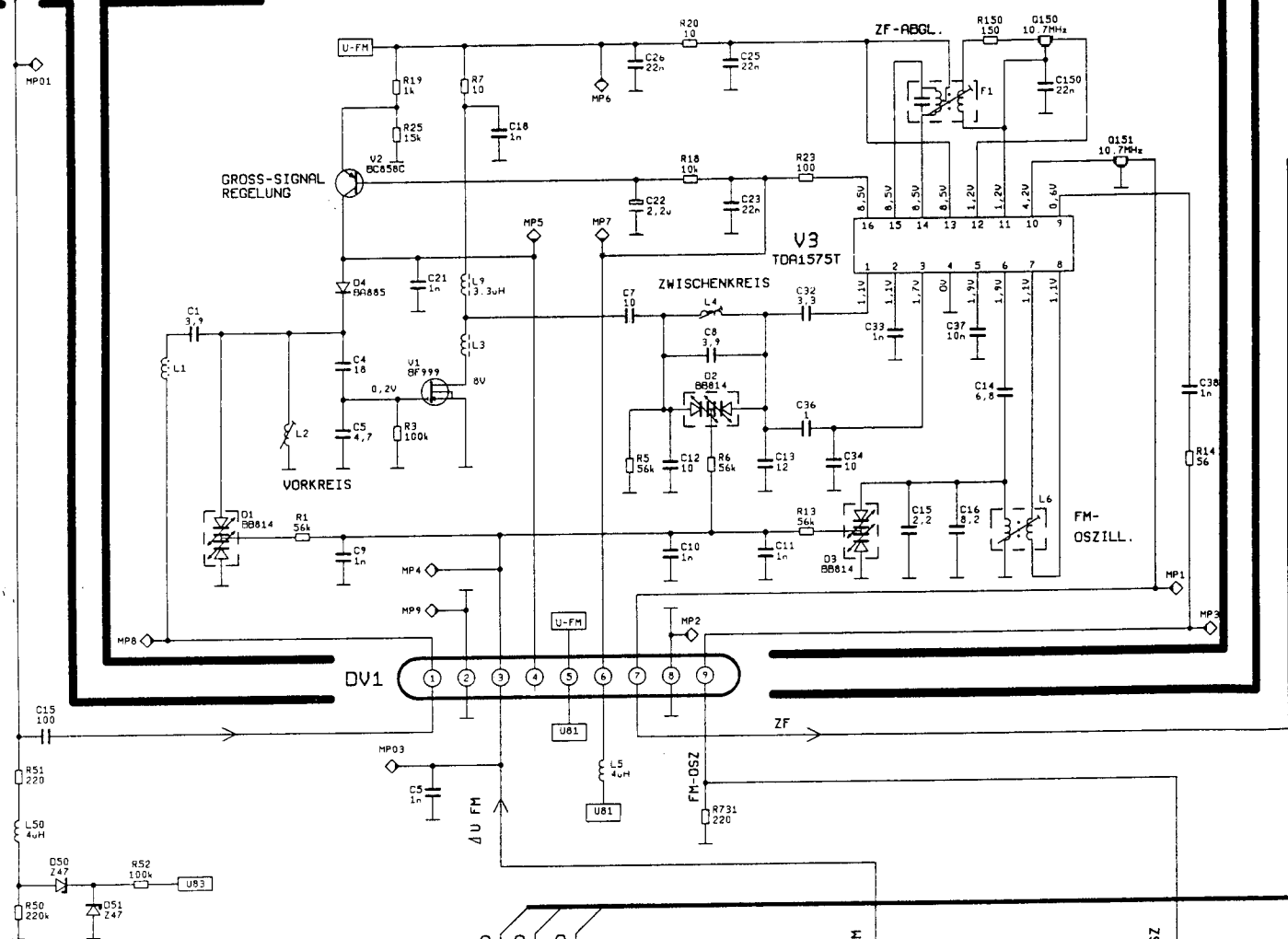


Anschlußplatte
Connector board

PL 74

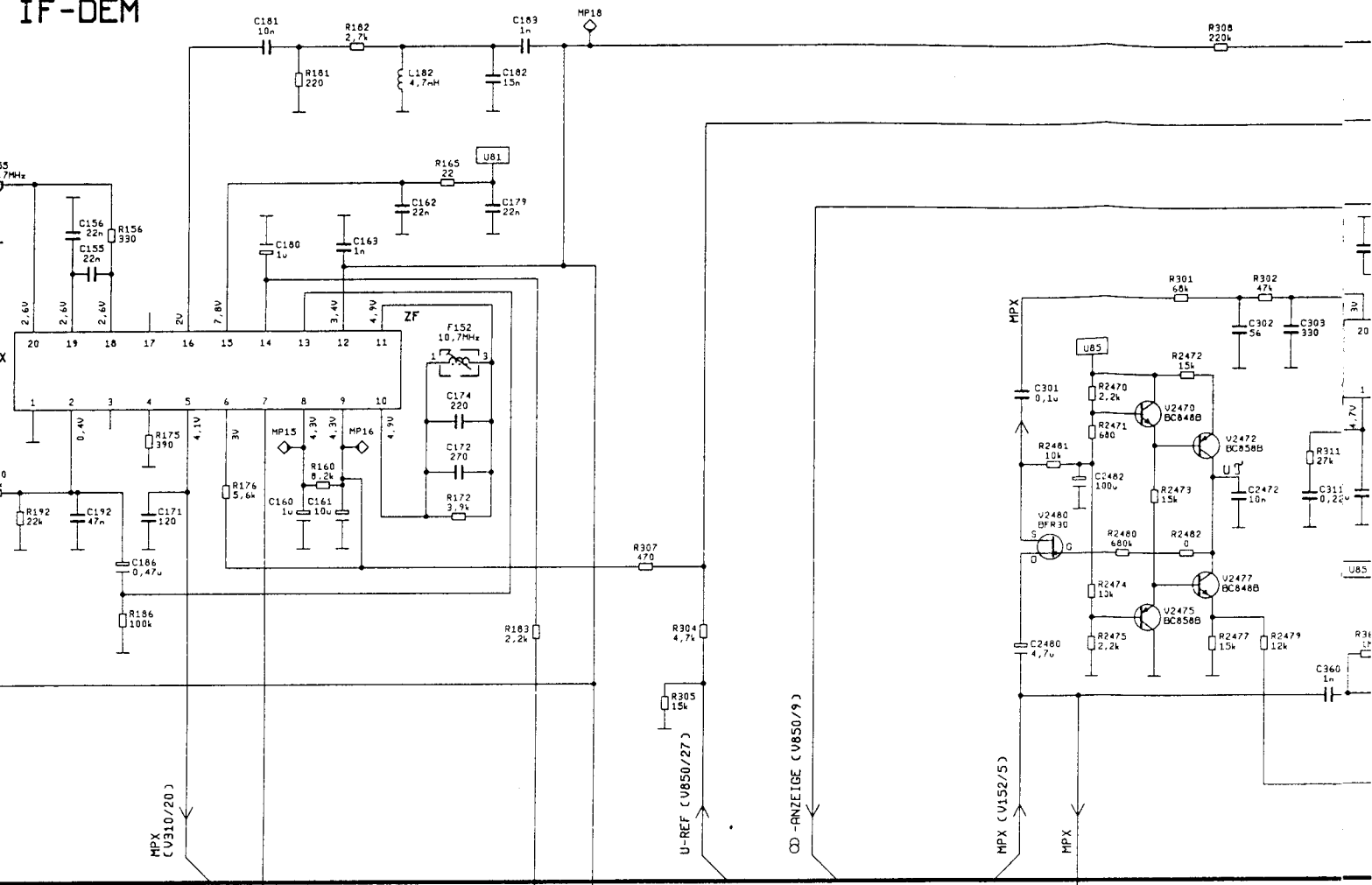
Chip





ZF-DEM
IF-DEM

RDS-MUTE



MPX (V310/20)

U-REF (U850/27)

OD-RNZEIGE (U850/9)

MPX (V152/5)

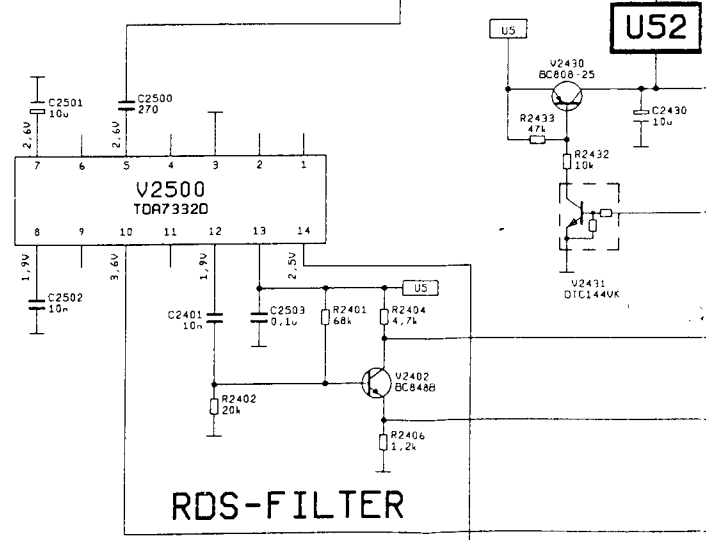
HPX

SCI/CLOCK (U850/53)

SL-STOP-FM

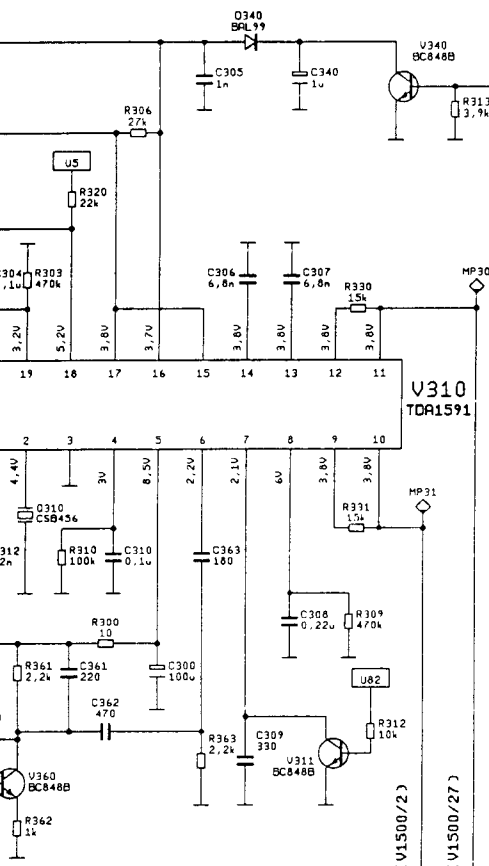
MULTI

FELDST-FM

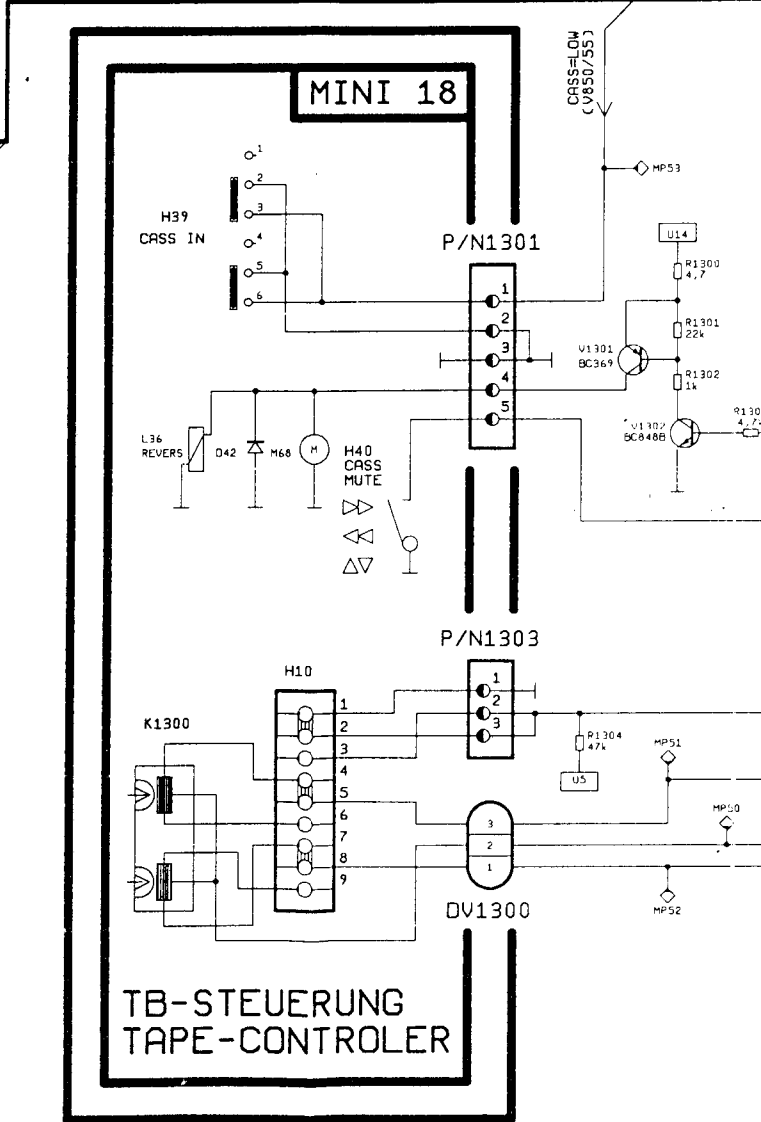
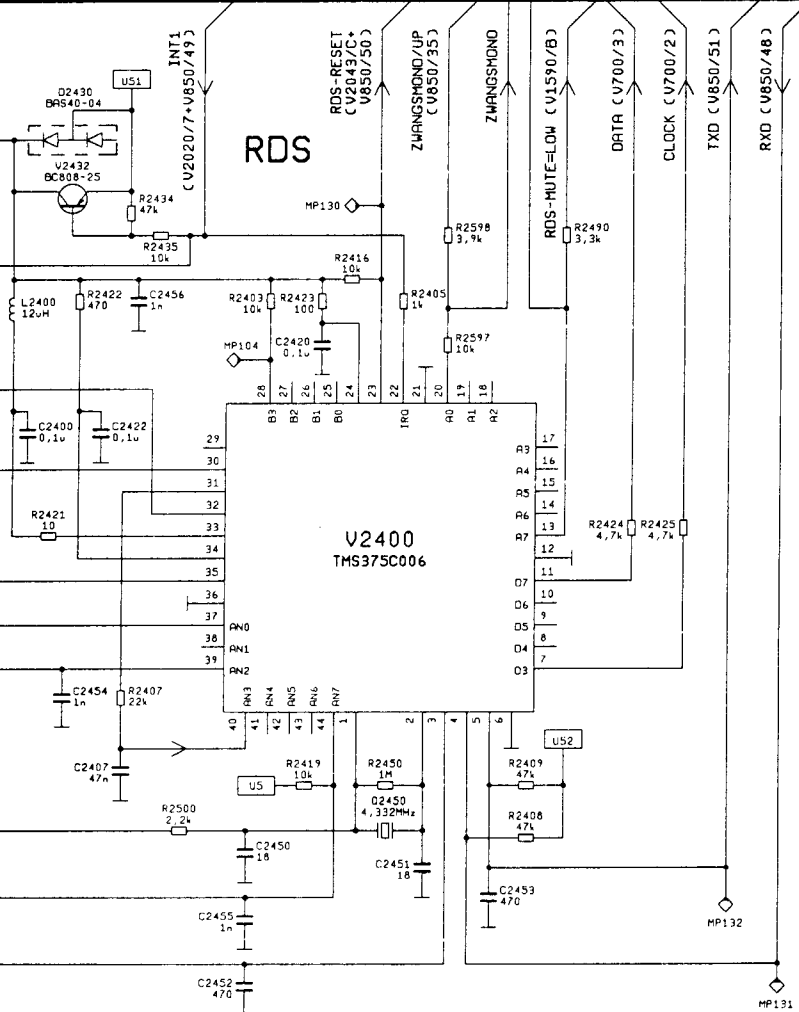
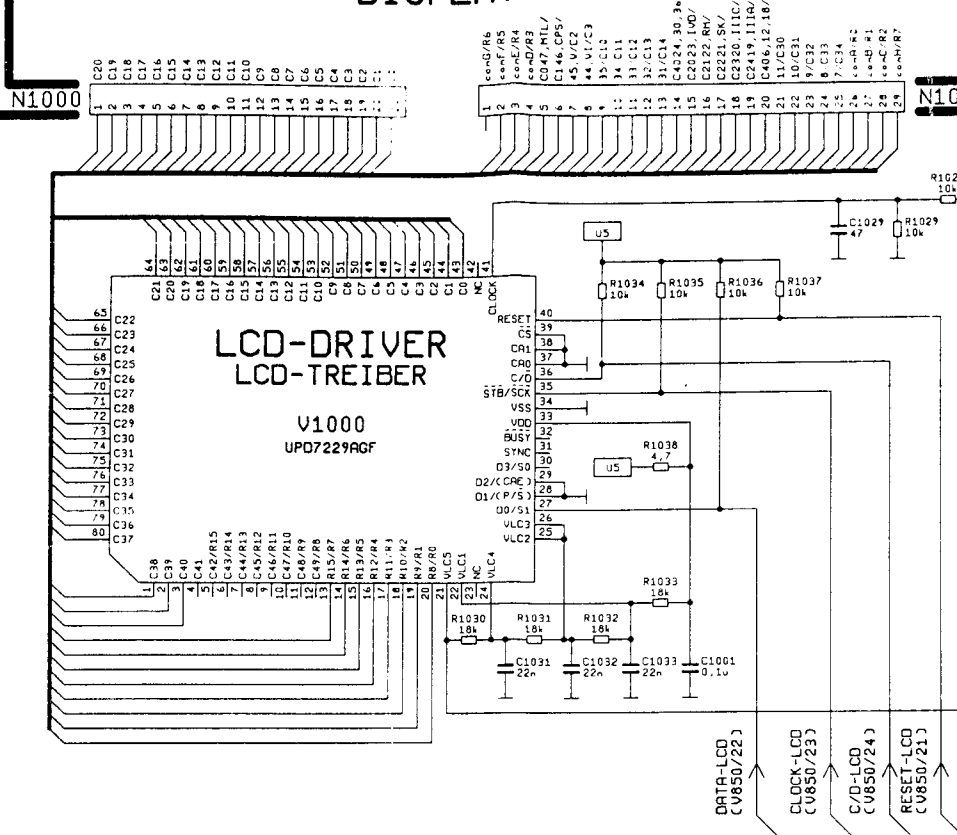


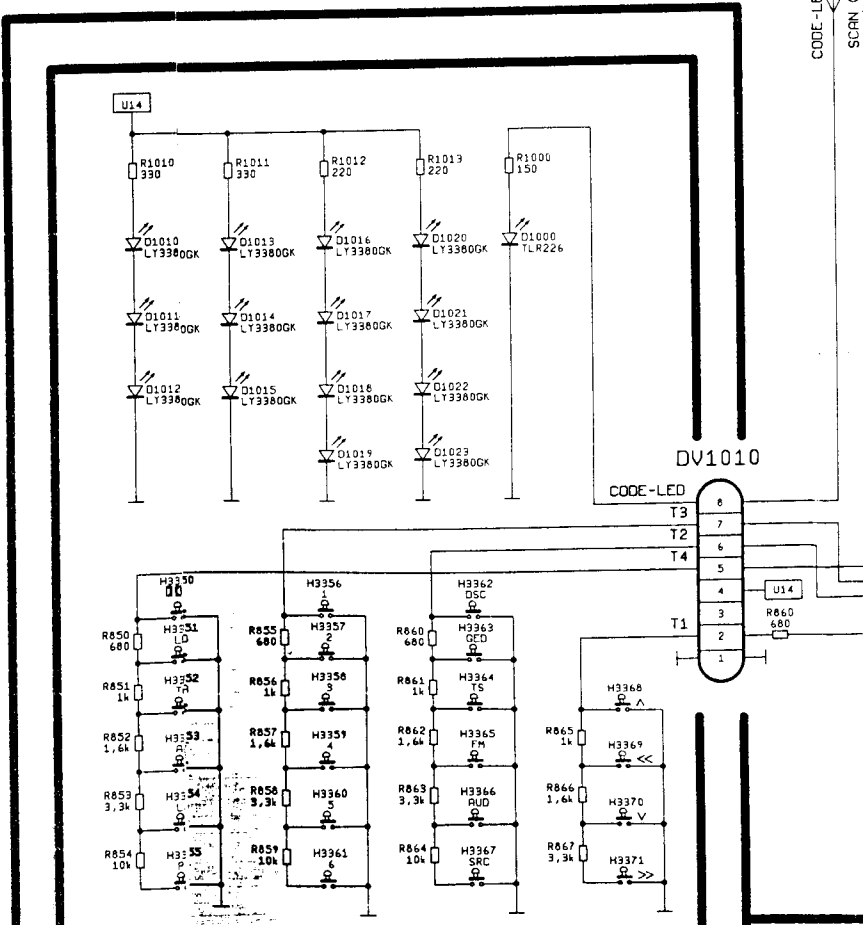
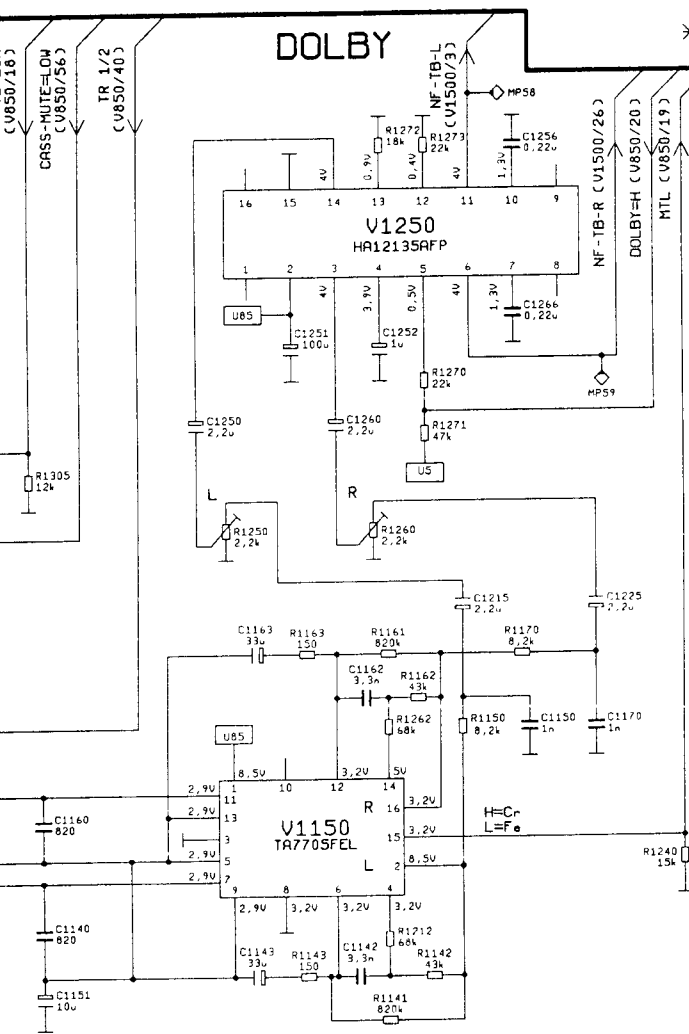
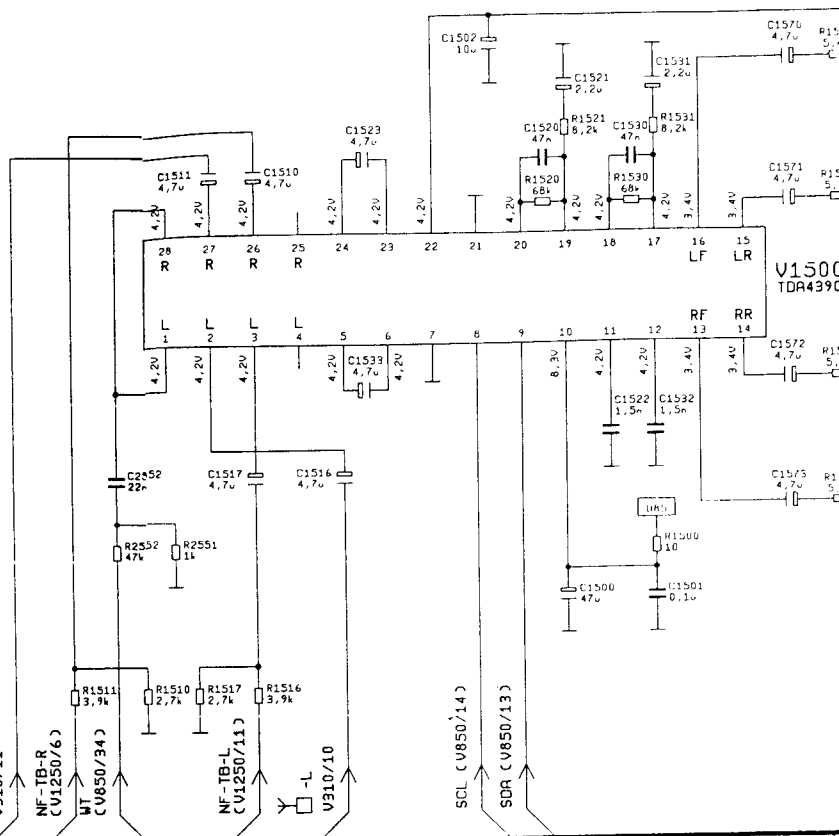
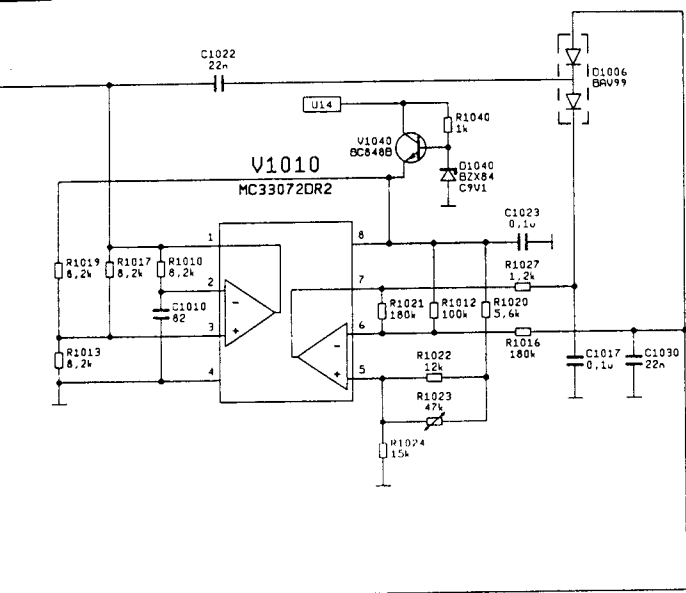
RDS-FILTER

STEREO-DECODER/ASU



LCD-ANZEIGE DISPLAY



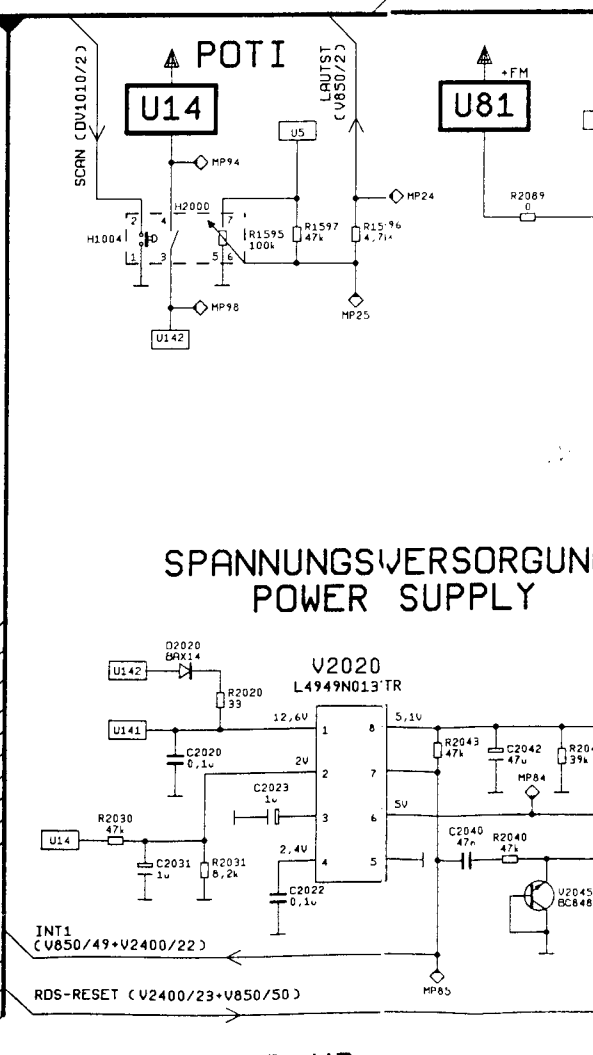
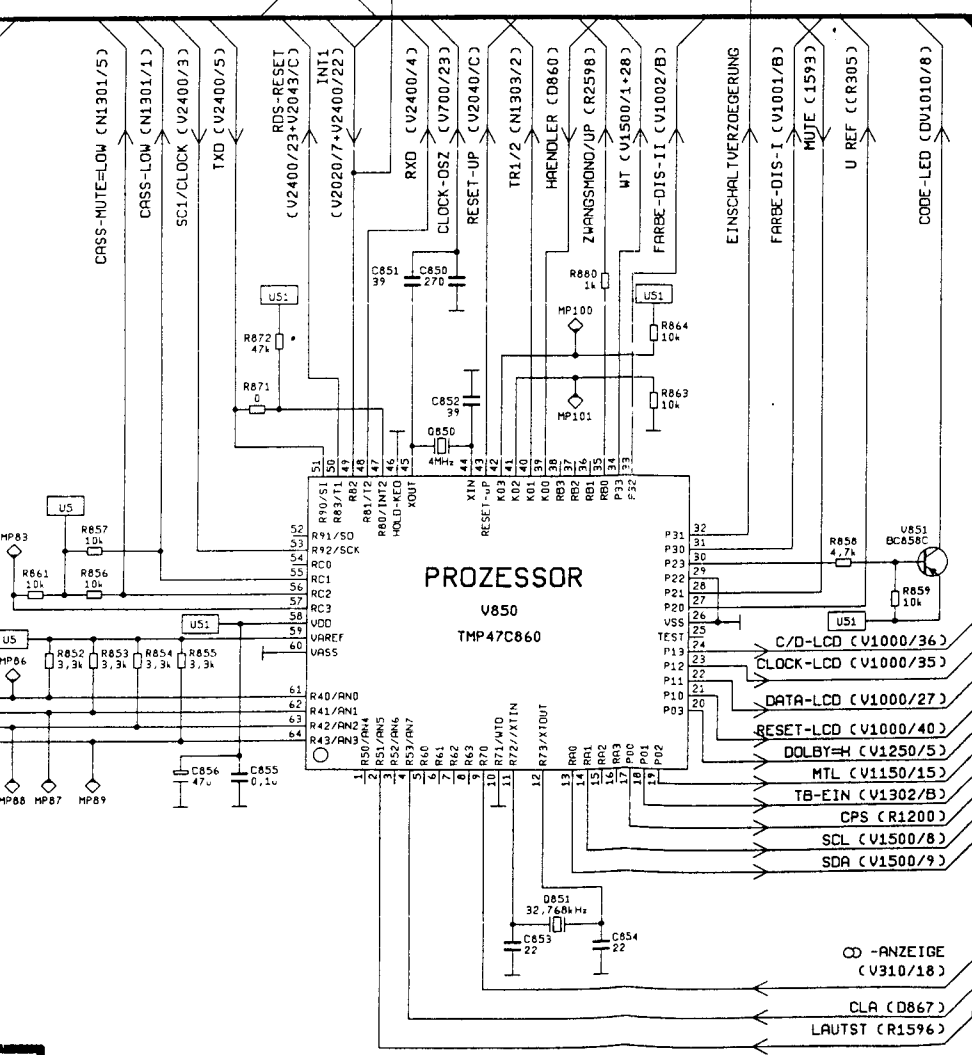
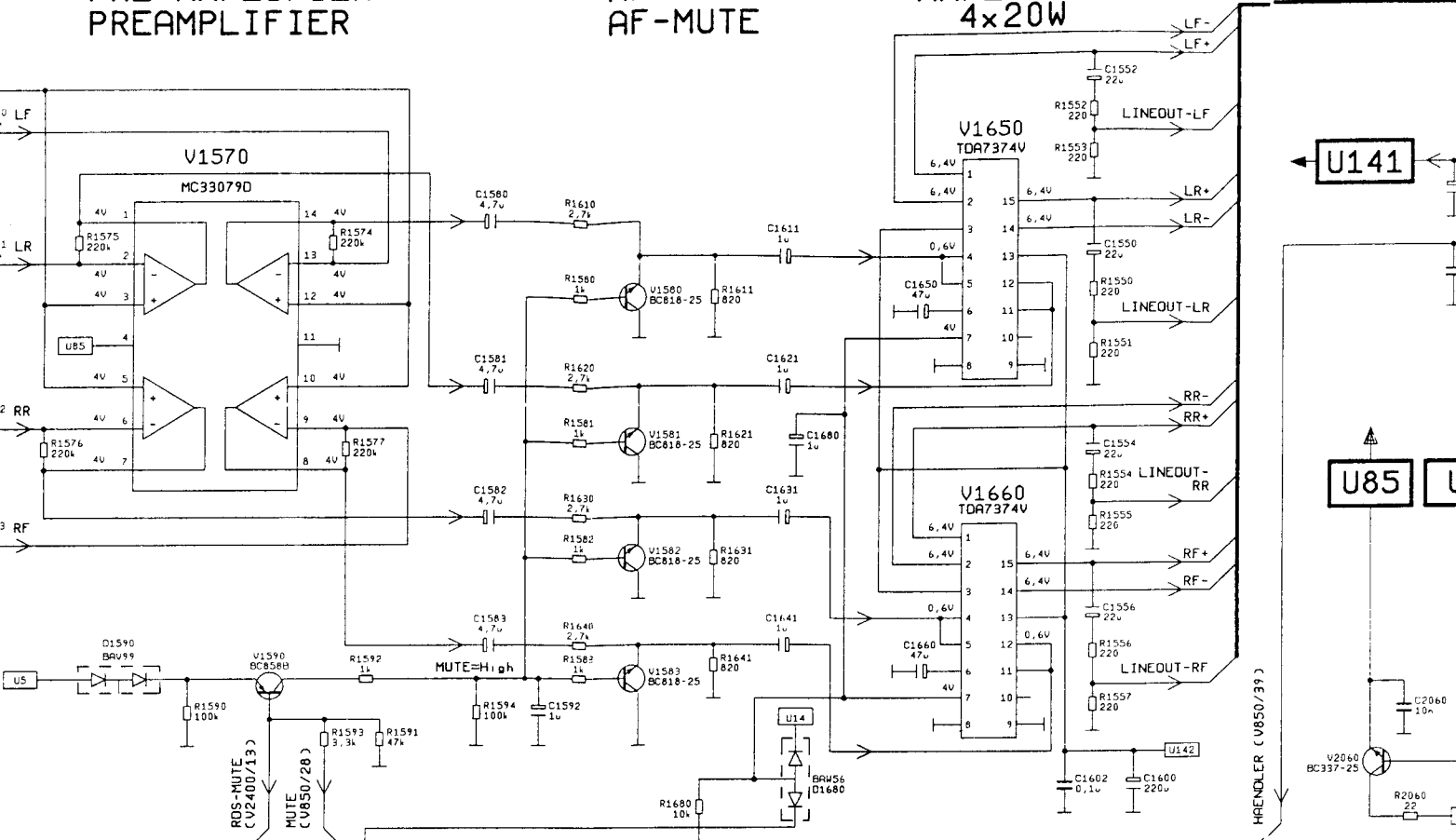


TB-VERSTAERKER
TAPE-PREAMPLIFIER

PRE-AMPLIFIER
PREAMPLIFIER

NF-MUTE
AF-MUTE

VERSTÄRKER
AMPLIFIER
4x20W

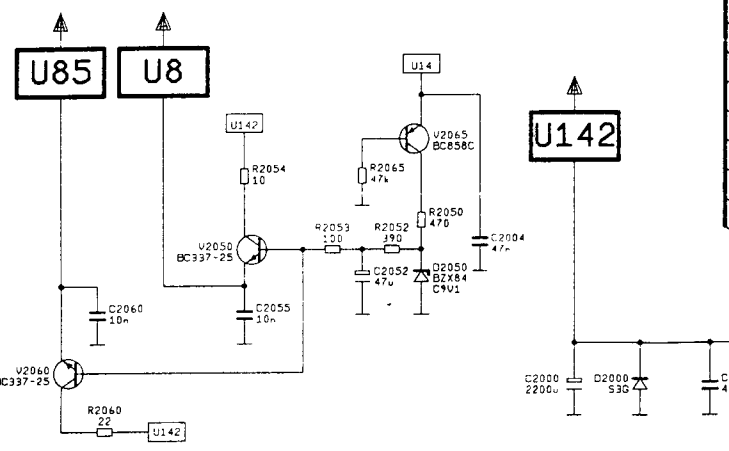


SPANNUNGSVERSORGNUNG
POWER SUPPLY

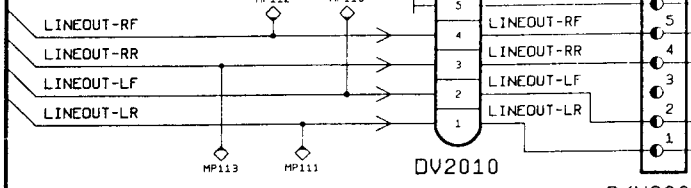
POWER UP

U141

SPANNUNGSVERSORGUNG POWER SUPPLY

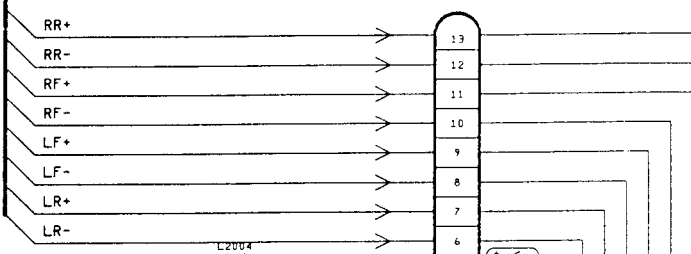


U142

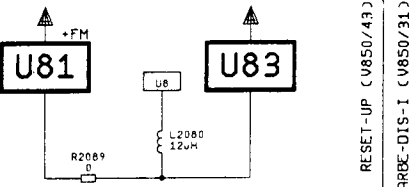


DV2010

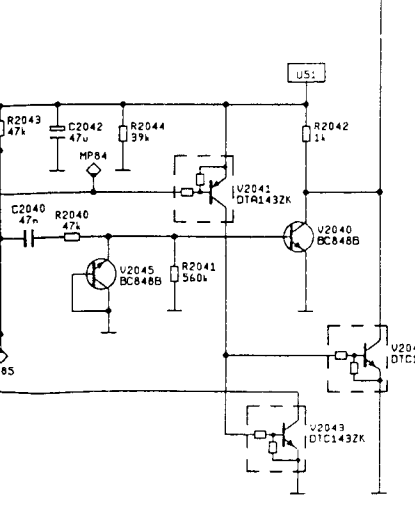
P/N2004



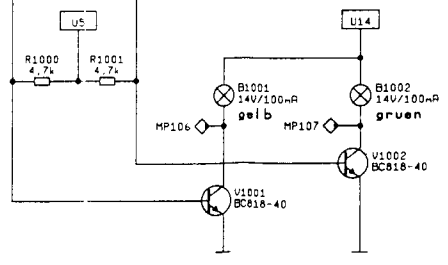
DV2000



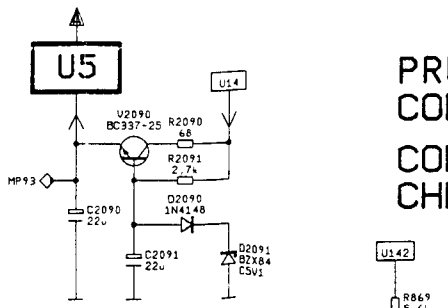
SPANNUNGSVERSORGUNG POWER SUPPLY



DISPLAY BELEUCHTUNG DISPLAY ILLUMINATION

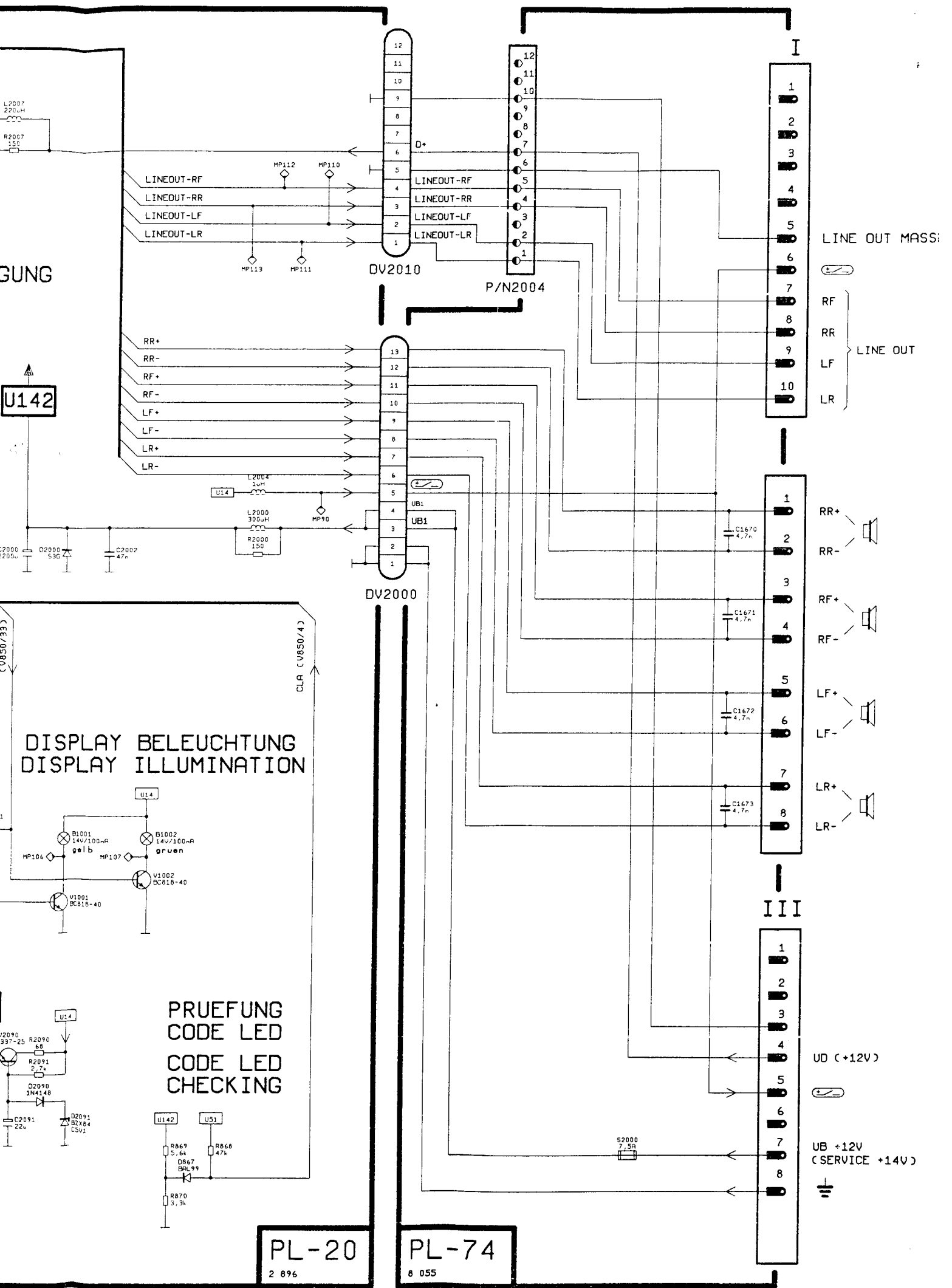


PRUEFUNG CODE LED CODE LED CHECKING



PL-20
2 896

PL-74
8 055



UNG

U142

DISPLAY BELEUCHTUNG
 DISPLAY ILLUMINATION

PRUEFUNG
 CODE LED
 CODE LED
 CHECKING

PL-20
 2 896

PL-74
 8 055

LINE OUT MASS:

RF
 RR
 LF
 LR
 LINE OUT

RR+
 RR-

RF+
 RF-

LF+
 LF-

LR+
 LR-

UD (+12V)

UB +12V
 (SERVICE +14V)