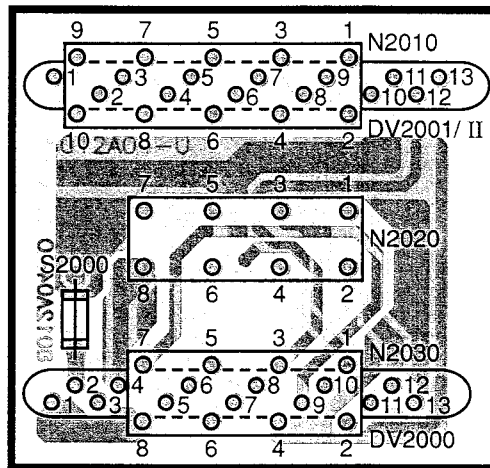


Schaltbild • Circuit diagram • Schema du poste • Esquema del aparato

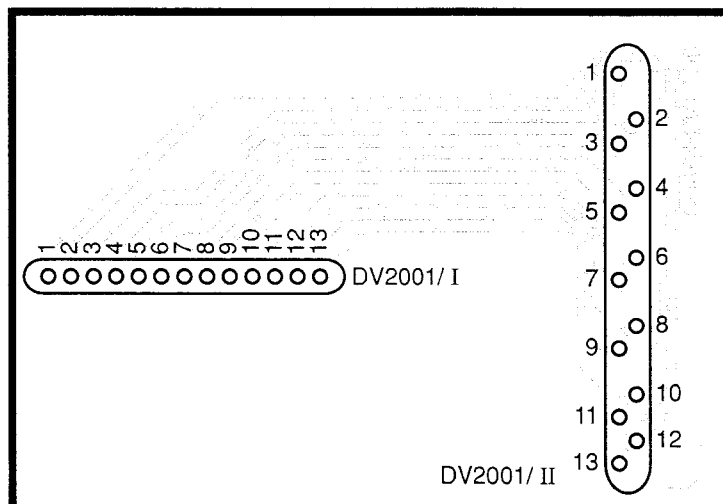
**Anschlußplatte
Connector board**
PL 8012 A04



DV2001 / II	
1 = LR - PREAMP	
2 = LF - PREAMP	
3 = RR - PREAMP	
4 = RF - PREAMP	
5 = NF - GND	
6 = 'U14 - CHANGER	
7 = TEL MUTE	
8 = NF - AUX	
9 = L - IN	
10 = R - IN	
11 = DIG - GND	
12 = SCI - TXD	
13 = SCI - RXD	

DV2000	
1 = GND	8 = U - ANT
2 = UD	9 = U - ZÜND
3 = LR - OUT +	10 = RF - OUT -
4 = LR - OUT -	11 = RF - OUT +
5 = LF - OUT +	12 = RR - OUT -
6 = LF - OUT -	13 = RR - OUT +
7 = U - DIM	

**Kontaktplatte
Connector board**
PL 8011 A04



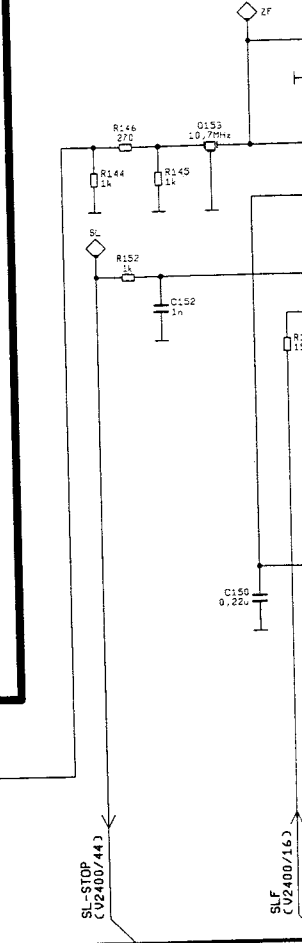
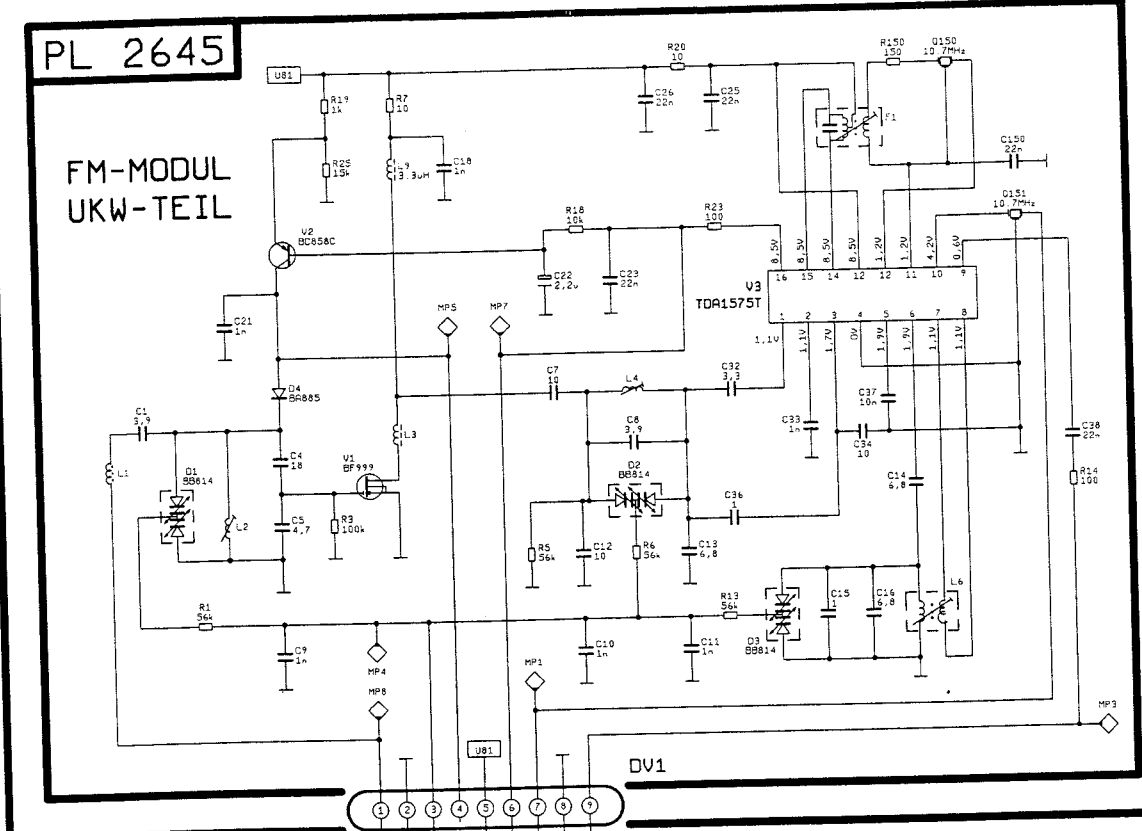
DV2001 / I	
1 = SCI - RXD	
2 = SCI - TXD	
3 = GND	
4 = LR - PREAMP	
5 = LF - PREAMP	
6 = RR - PREAMP	
7 = RF - PREAMP	
8 = GND	
9 = U14 - CHANGER	
10 = TEL MUTE	
11 = NF - AUX	
12 = L - IN	
13 = R - IN	

DV2001 / II	
1 = LR - PREAMP	
2 = LF - PREAMP	
3 = RR - PREAMP	
4 = RF - PREAMP	
5 = NF - GND	
6 = U14 - CHANGER	
7 = TEL MUTE	
8 = NF - AUX	
9 = L - IN	
10 = R - IN	
11 = DIG - GND	
12 = SCI - TXD	
13 = SCI - RXD	

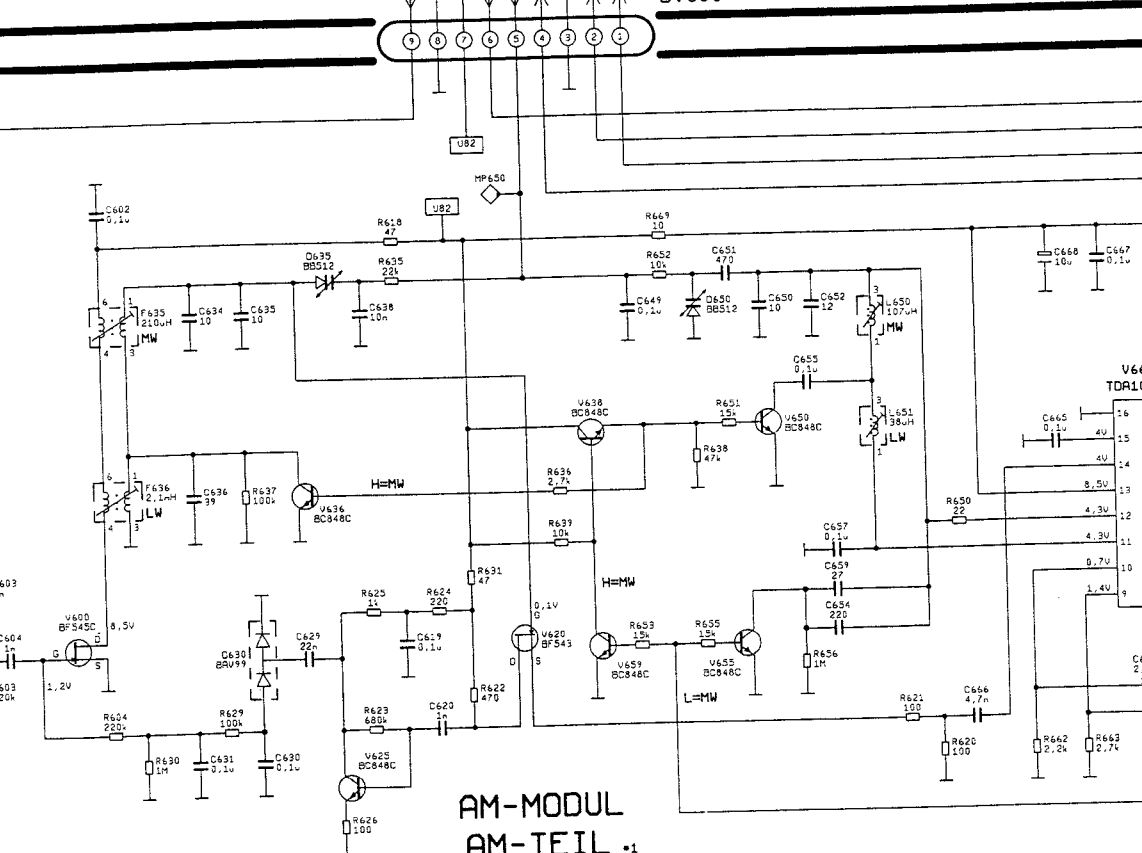
PL 2645

FM-MODUL
UKW-TEIL

PL 8289



AM-MODUL
AM-TEIL

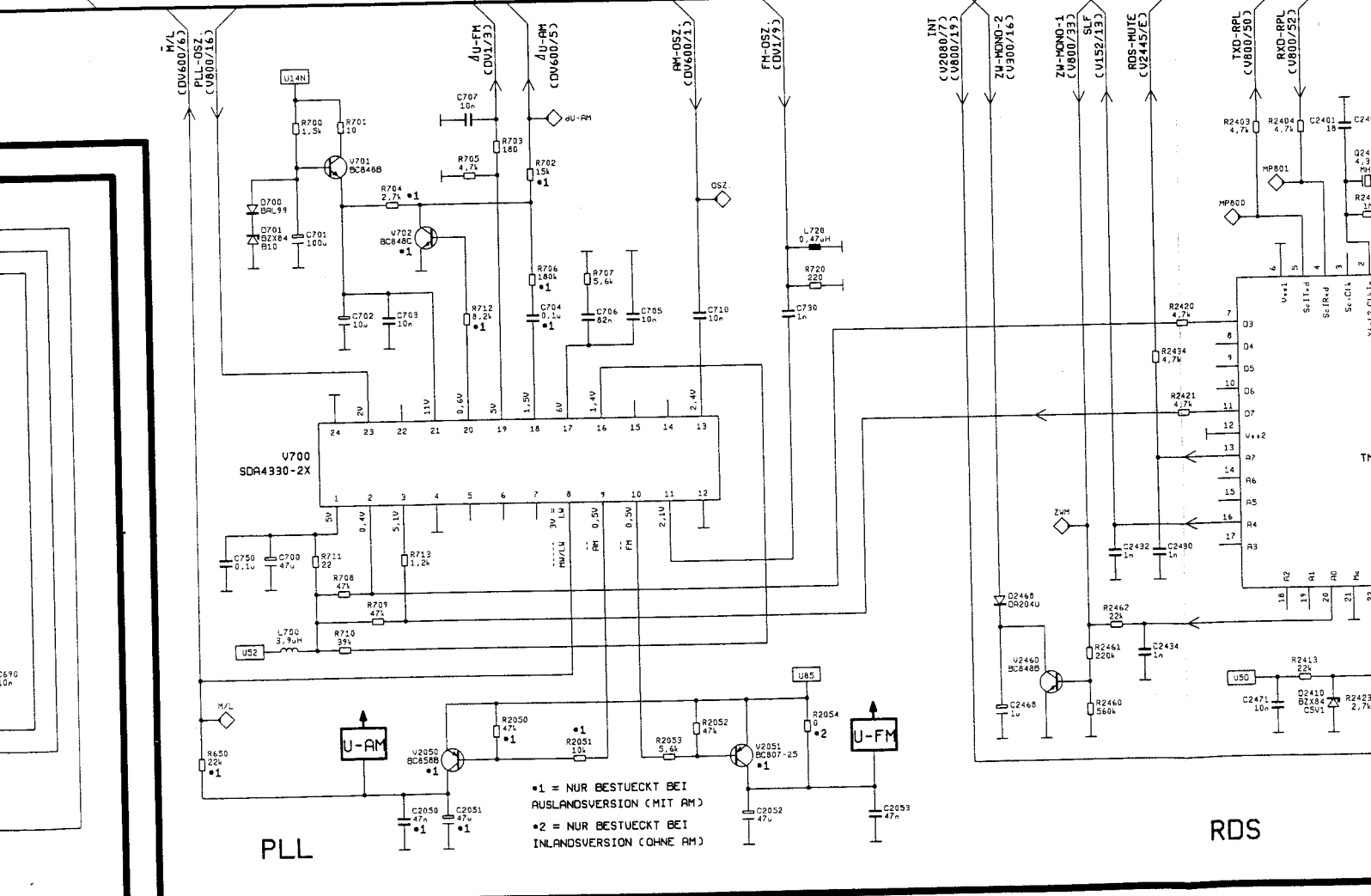
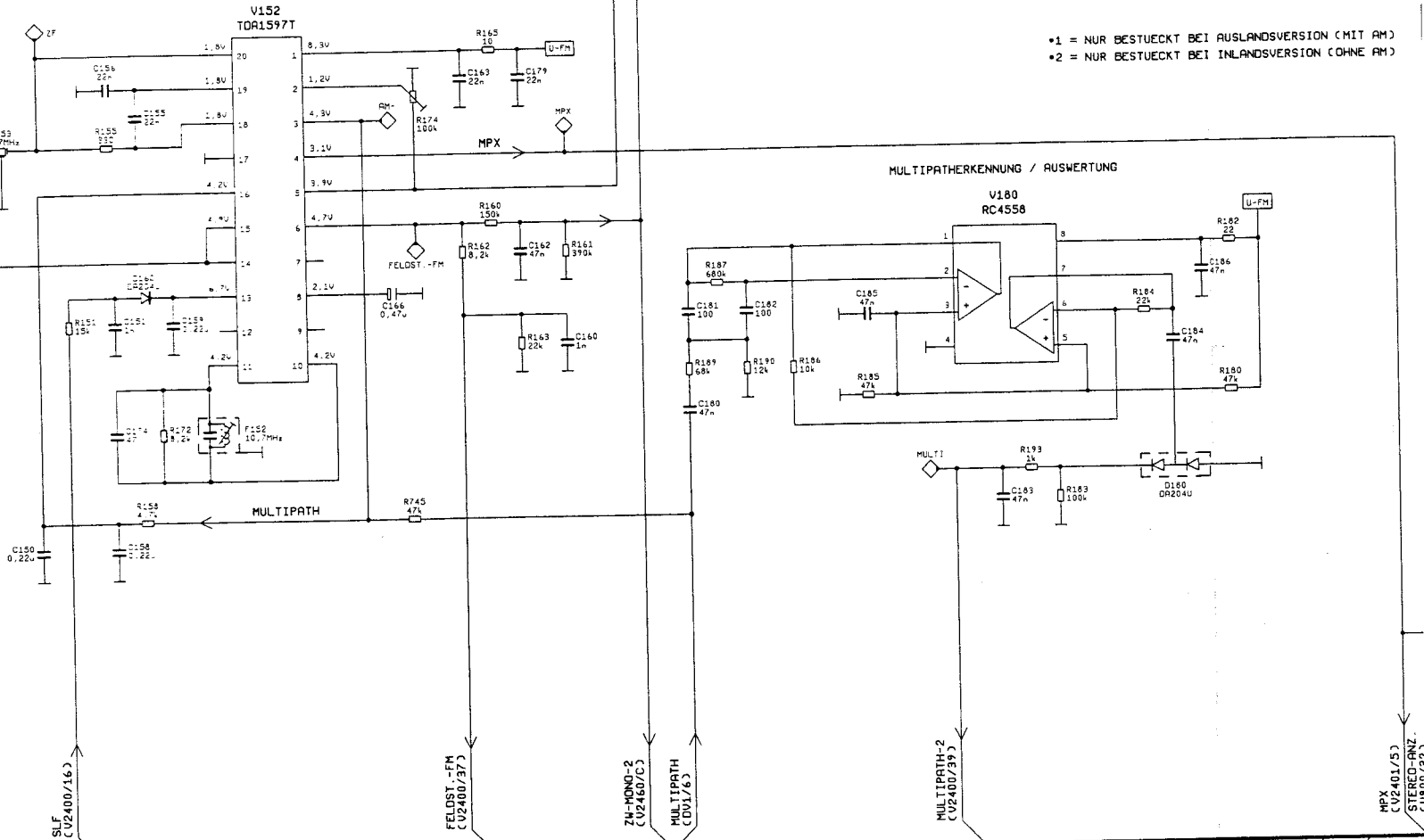


PL 2981

FM-ZF
FM-IF

MULTIPATH

- *1 = NUR BESTUECKT BEI AUSLANDSVERSION (MIT AM)
- *2 = NUR BESTUECKT BEI INLANDSVERSION (OHNE AM)



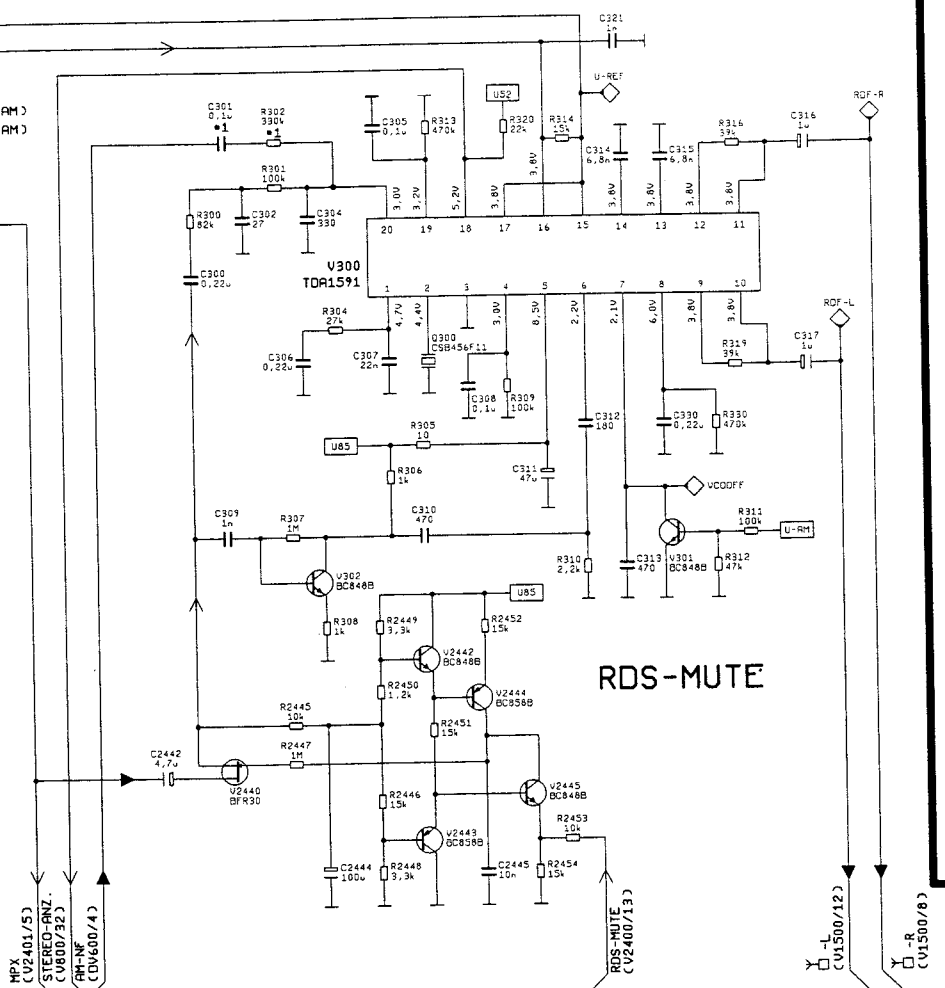
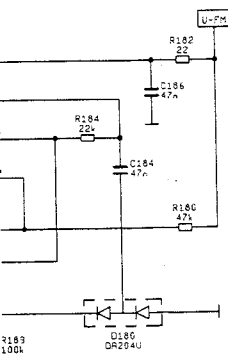
- *1 = NUR BESTUECKT BEI AUSLANDSVERSION (MIT AM)
- *2 = NUR BESTUECKT BEI INLANDSVERSION (OHNE AM)

RDS

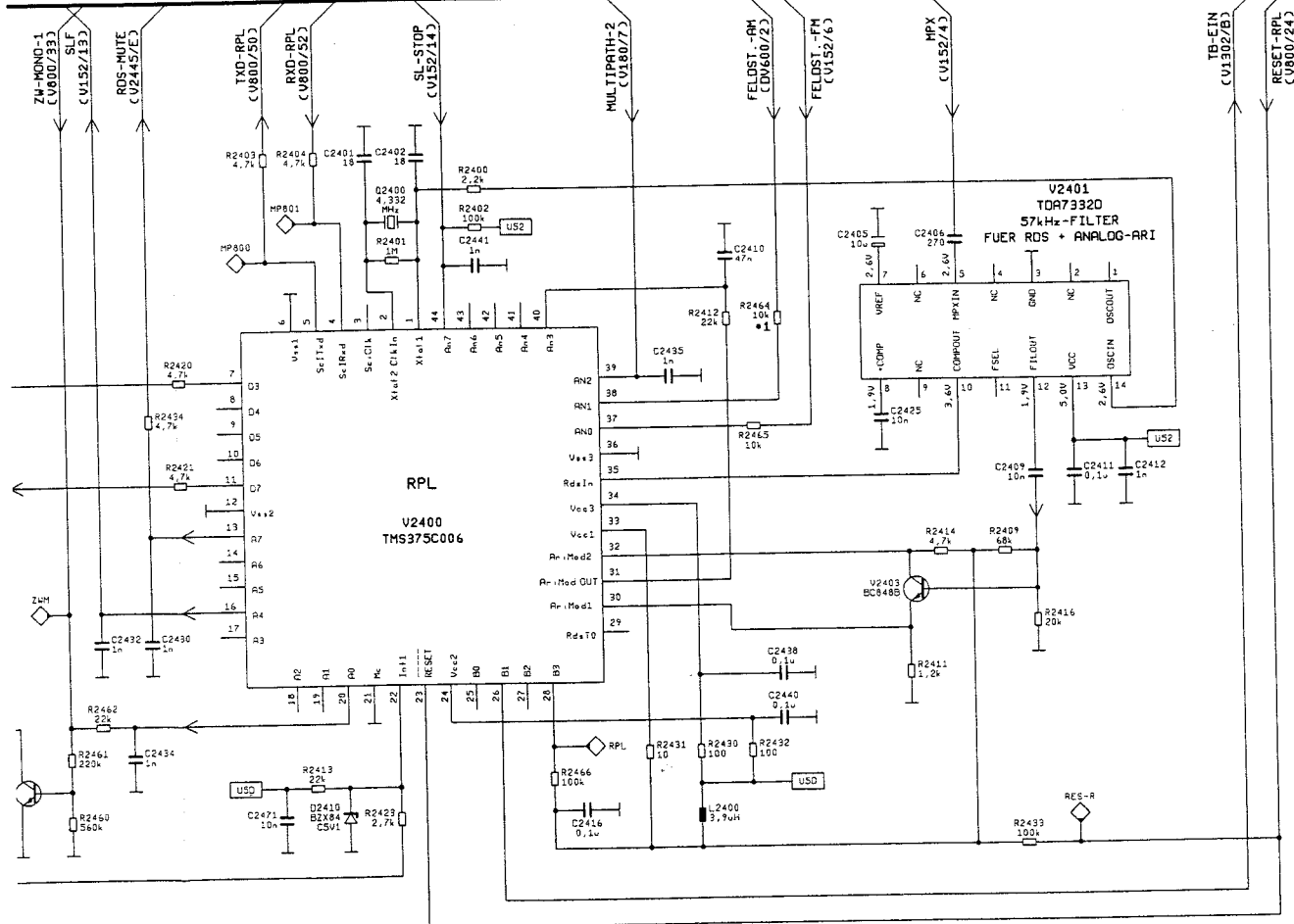
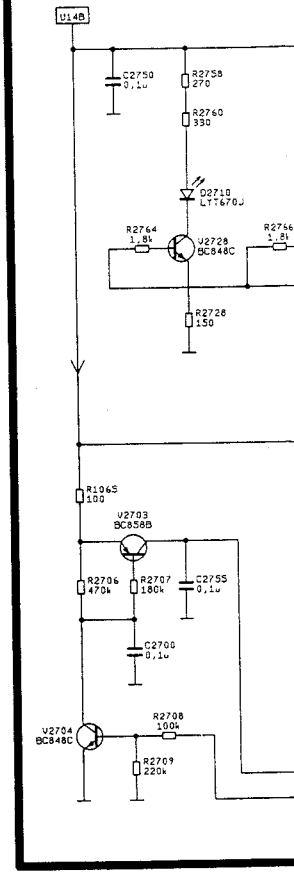
○ - DECODER/ASU

= NUR BESTUECKT BEI AUSLANDSVERSION (MIT AM)
 = NUR BESTUECKT BEI INLANDSVERSION (OHNE AM)

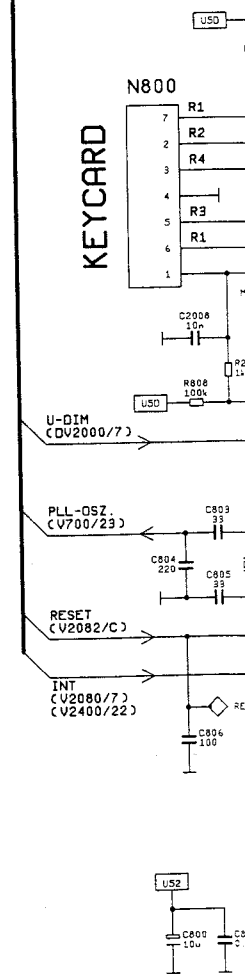
WERTUNG



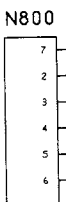
RDS-MUTE



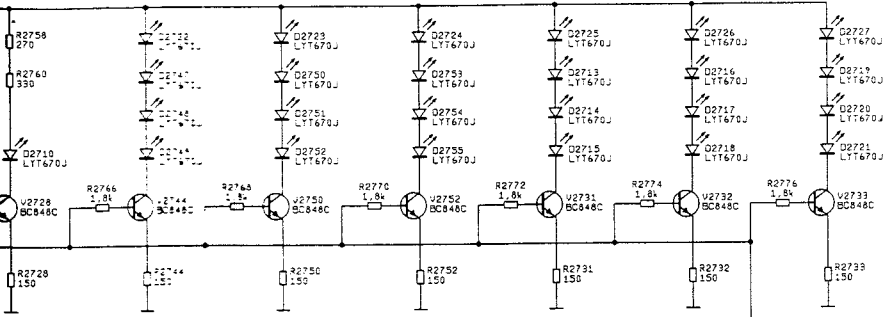
RDS



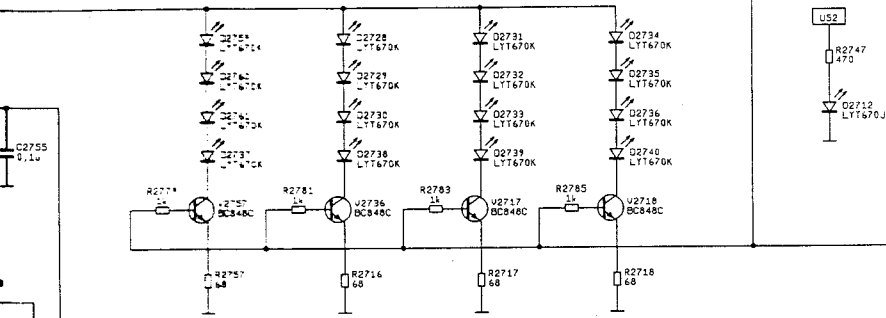
KEYCARD



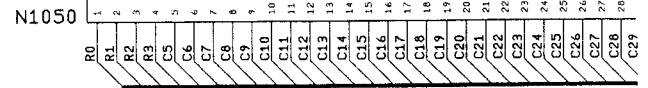
TASTATUR-AUSLEUCHTUNG



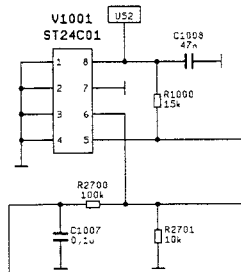
LCD-AUSLEUCHTUNG



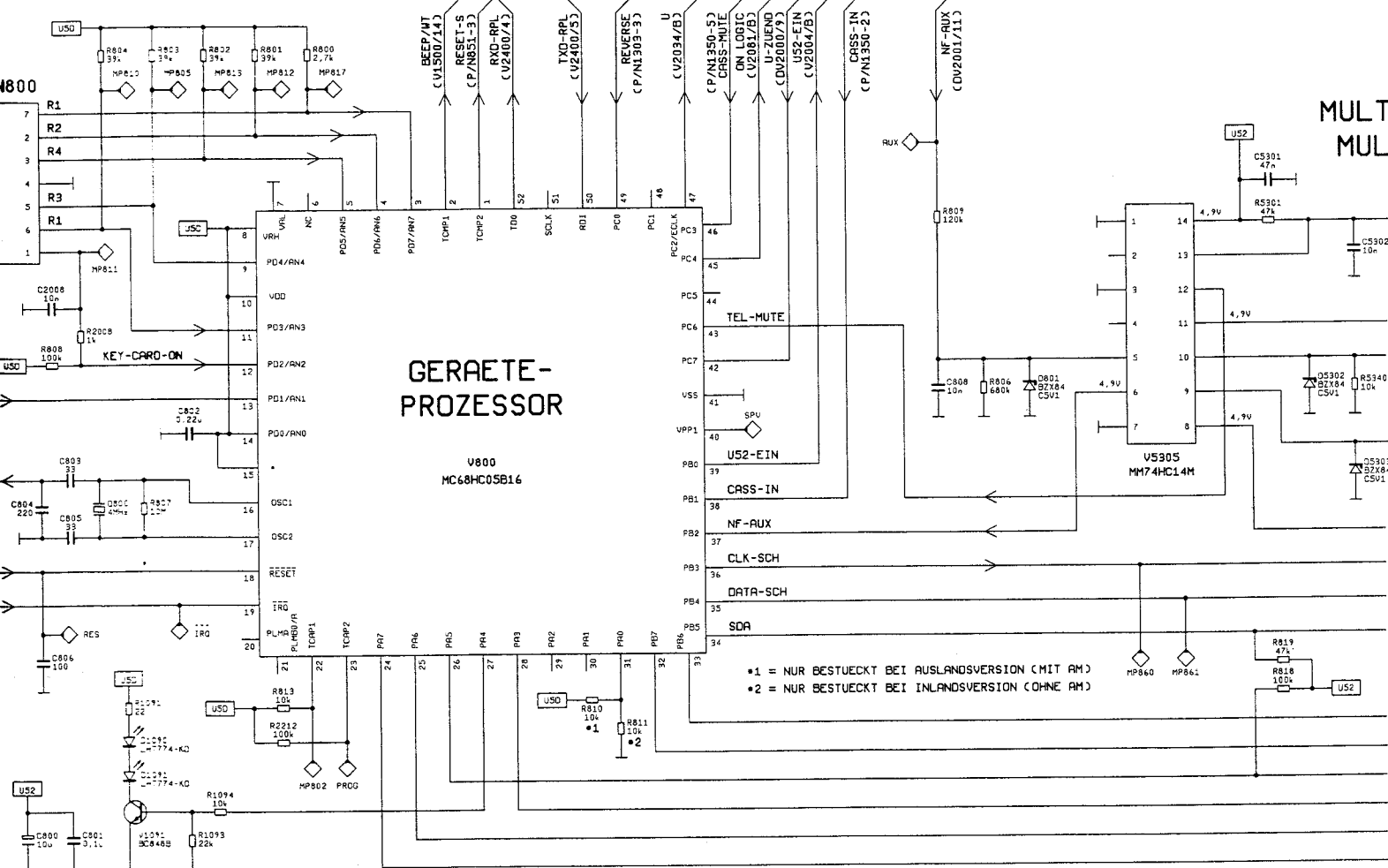
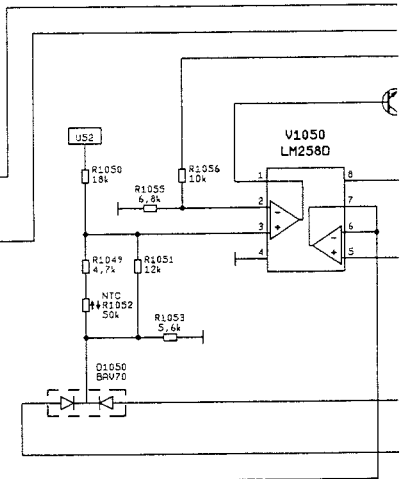
LCD



EEPROM



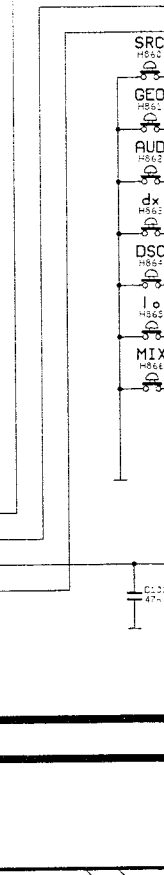
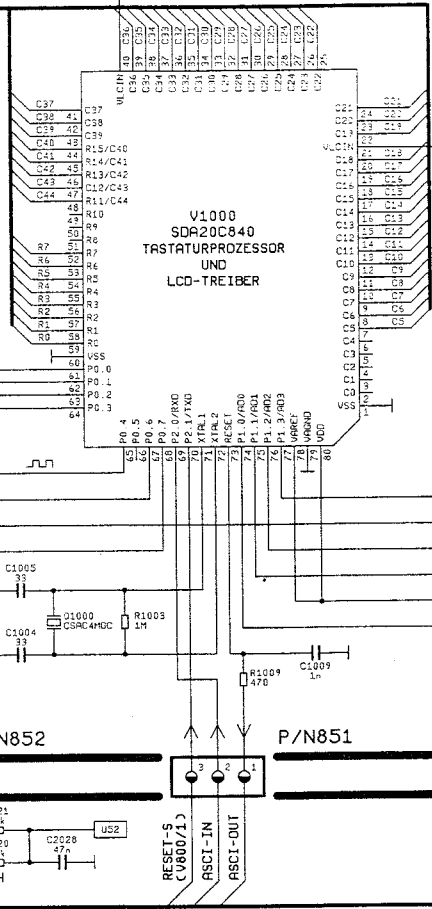
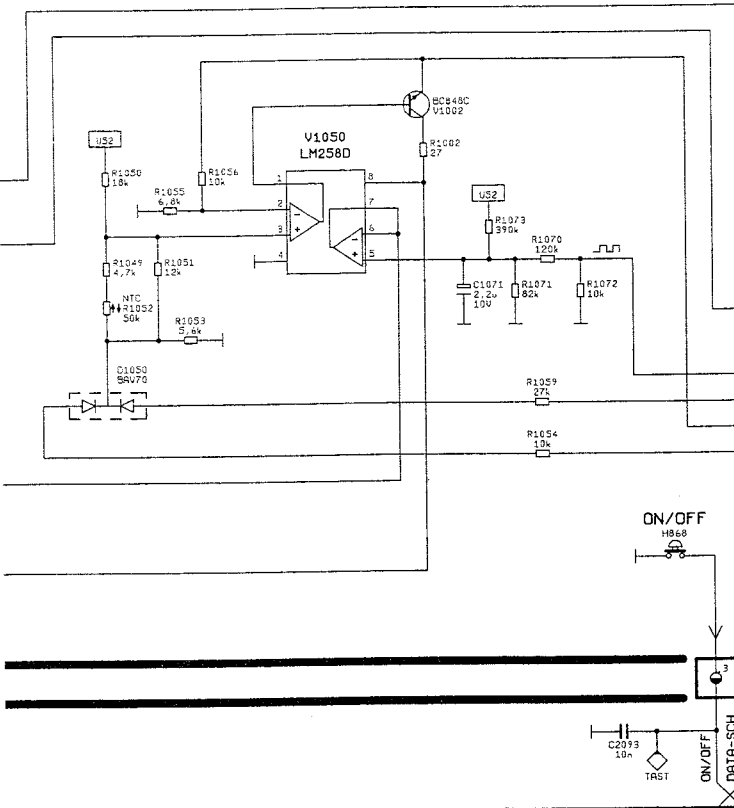
BLICKWINKELEINS



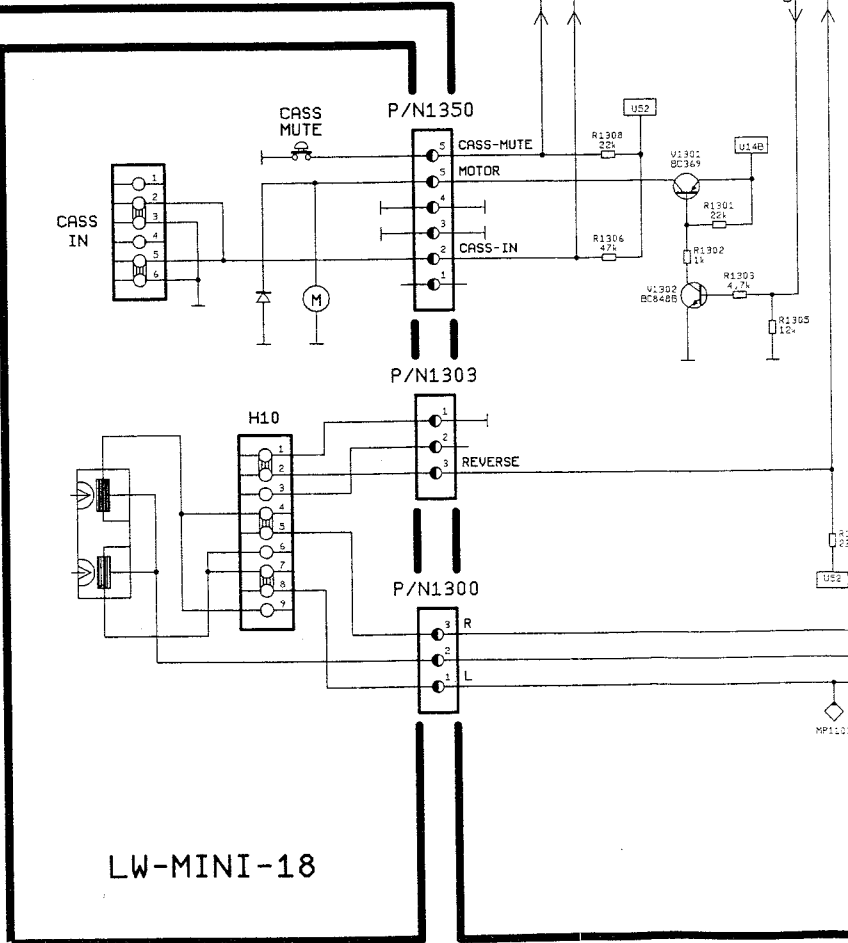
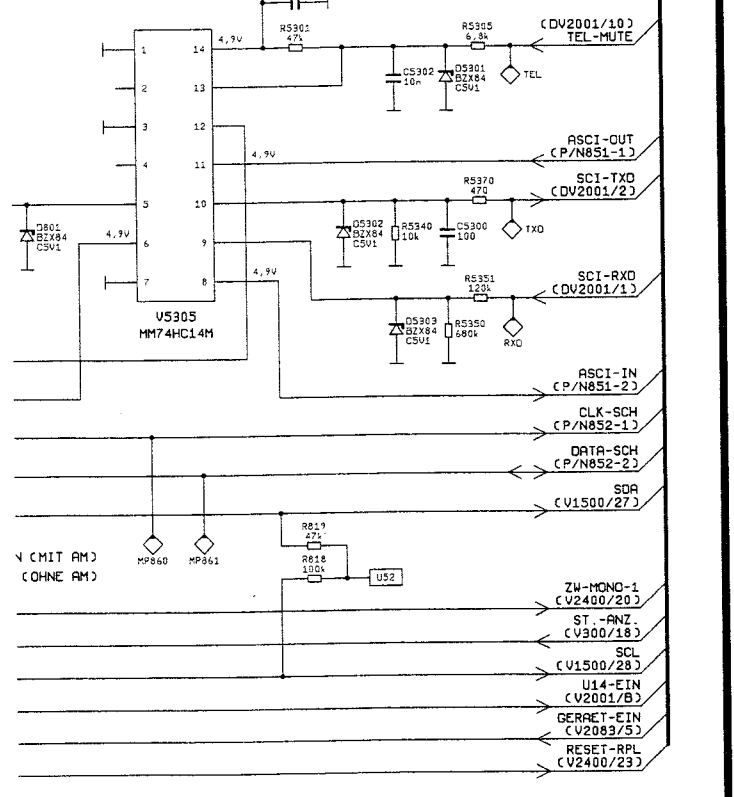
MULT MUL

C8	9	10	11	12	13	14	15	16	17	18	19	20	21	22	23	24	25	26	27	28	29	30	31	32	33	34	35	36	37	38	39	40	41	42	43	44	45	46	47	48
----	---	----	----	----	----	----	----	----	----	----	----	----	----	----	----	----	----	----	----	----	----	----	----	----	----	----	----	----	----	----	----	----	----	----	----	----	----	----	----	----

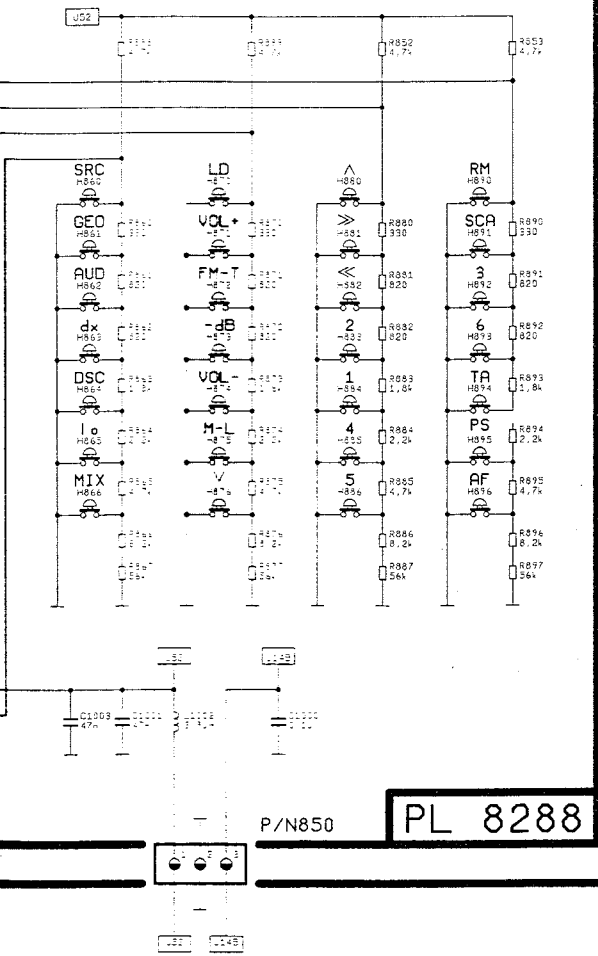
BLICKWINKELEINSTELLUNG



MULTISCHALTER MULTISWITCH



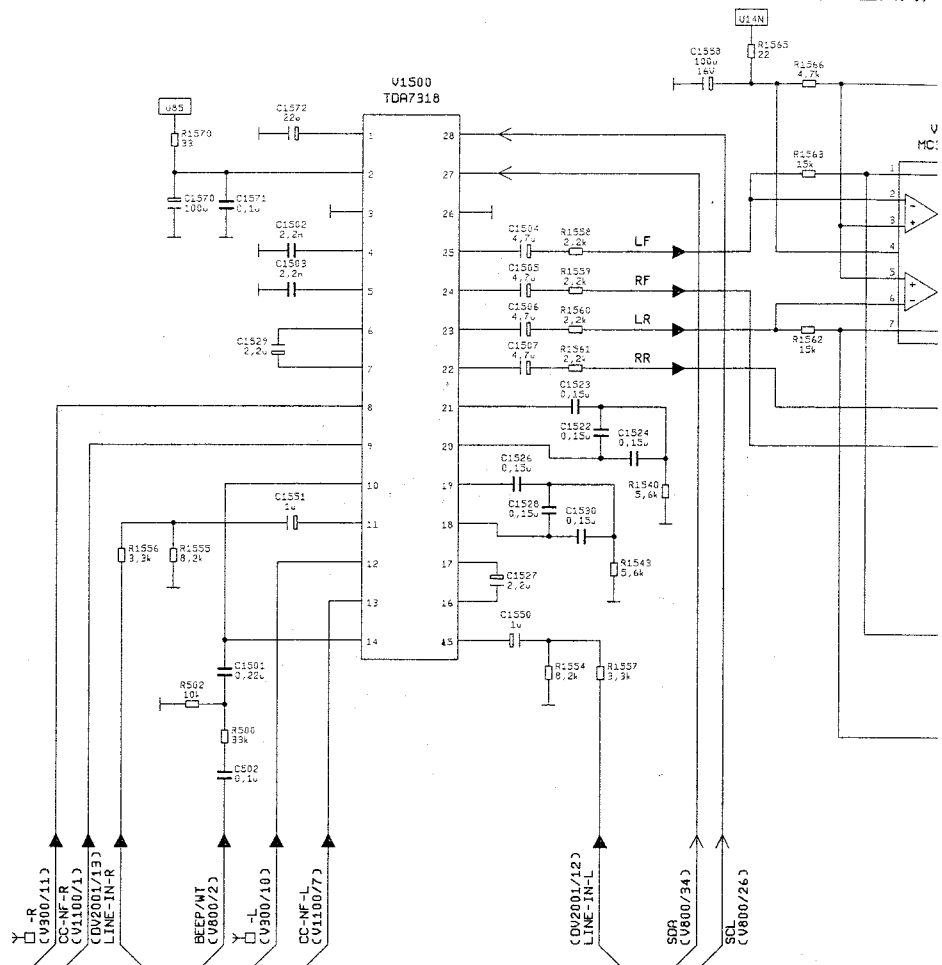
KEYBOARD



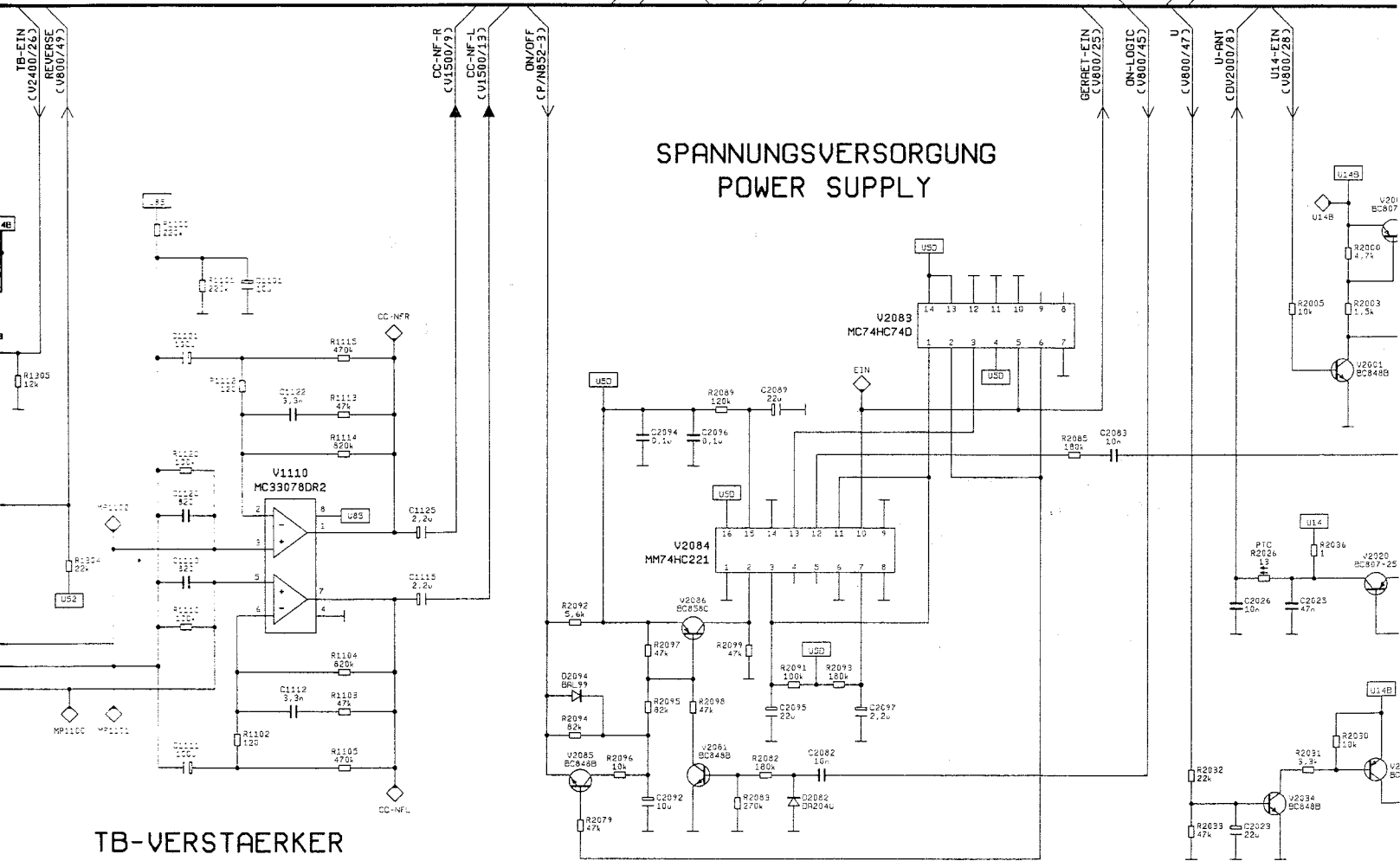
PL 8289

NF-STELLER AF SETTER

NF-VORVEI PREAMP



SPANNUNGSVERSORGUNG POWER SUPPLY

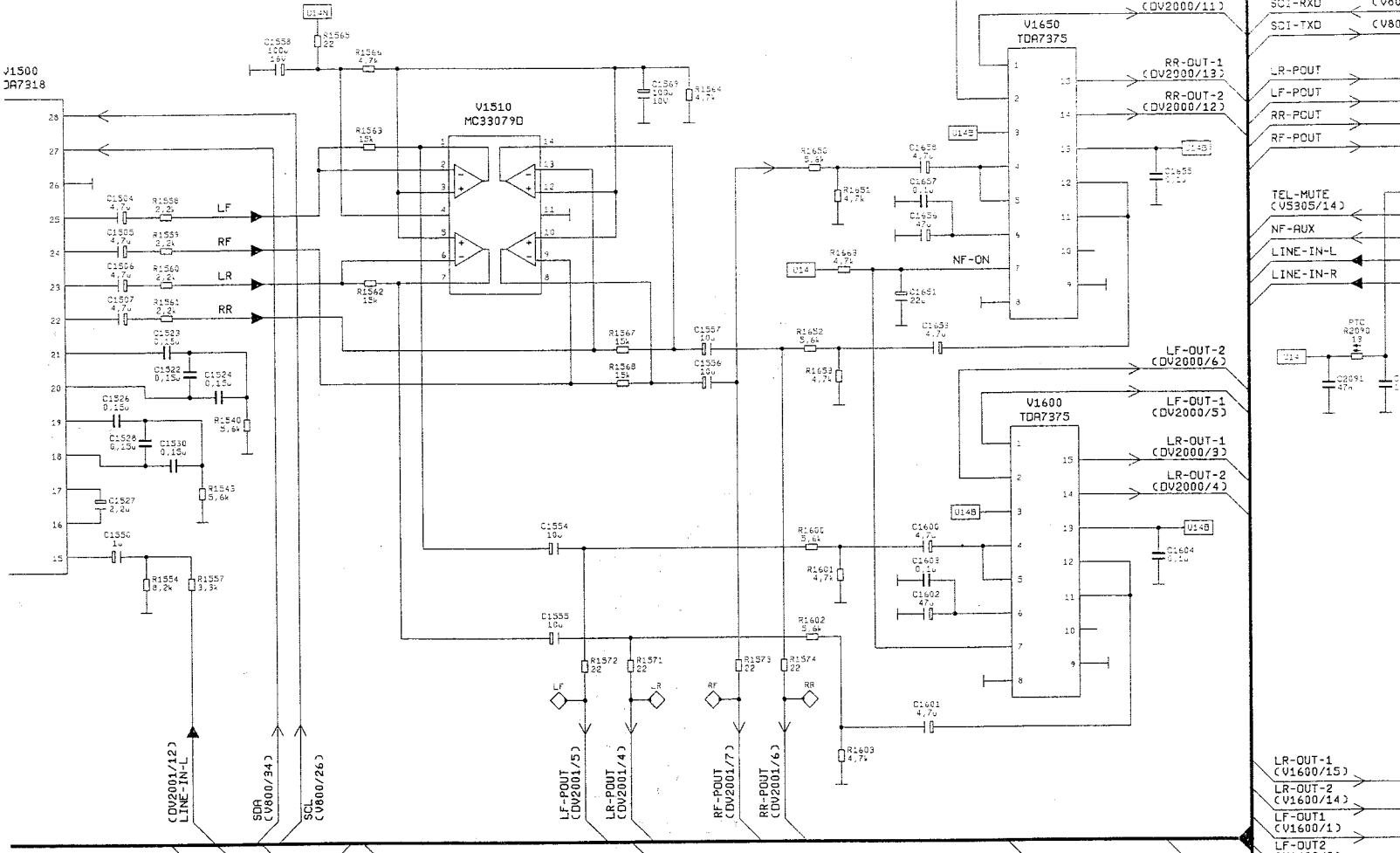


TB-VERSTAERKER

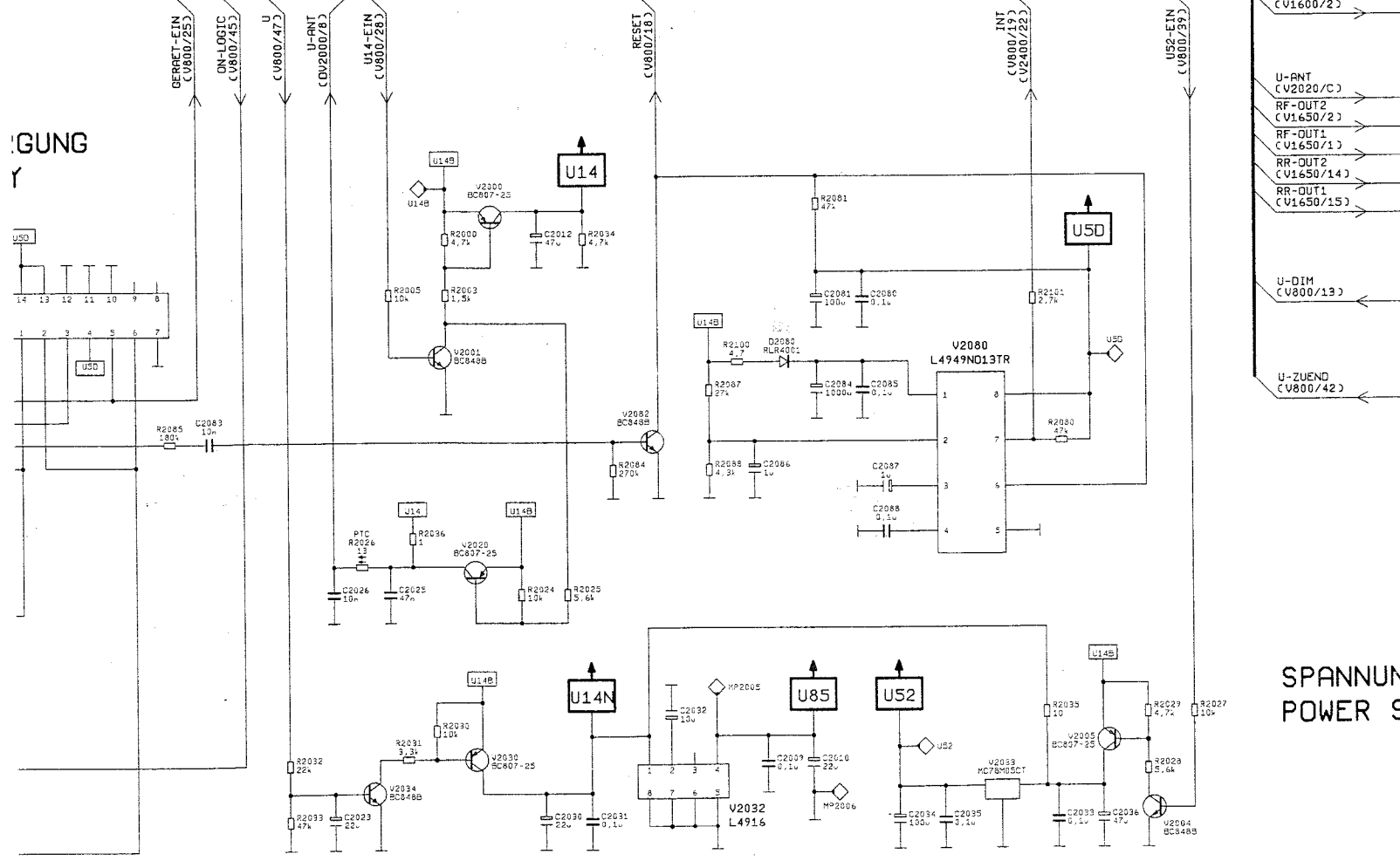
TELLER
SETTER

NF-VORVERSTÄRKER
PREAMPLIFIER

NF-ENDSTUFE
AF AMPLIFIER

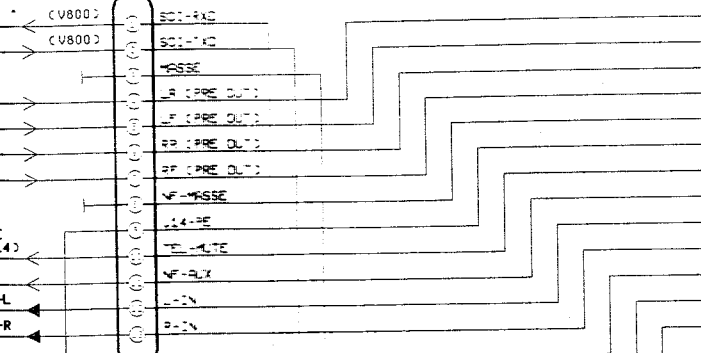


ÜBERGANG
Y



SPANNUNG
POWER SUPPLY

VERBINDUNGSPLATTE ADAPTER BOARD



PL 8011

- 1 LR
- 2 LF
- 3 RR
- 4 RF
- 5 NF-MASSE
- 6 U14-PE
- 7 TEL-MUTE
- 8 NF-AUX
- 9 L-IN
- 10 R-IN
- 11 DIG-MASSE
- 12 SCI-TXD
- 13 SCI-RXD

- 10 LR
- 9 LF
- 8 RR
- 7 RF
- 6 (CHANGER ON)
- 5 NF-MASSE
- 4 TEL-MUTE
- 3 NF-AUX
- 2 L (PREAMP IN)
- 1 R (PREAMP IN)

I
PREAMP OUT
L (PREAMP IN)
R (PREAMP IN)

DV2000

- 1 MASSE
- 2 UD
- 3 LR-OUT1
- 4 LR-OUT2
- 5 LF-OUT1
- 6 LF-OUT2
- 7 U-DIM
- 8 U-ANT
- 9 U-ZUEND
- 10 RF-OUT2
- 11 RR-OUT1
- 12 RR-OUT2
- 13 RR-OUT1

- 1 SCI-TXD
- 2 SCI-RXD
- 3 DIG. MASSE
- 4 UD (+12V)
- 5 UB +12V (SERVICE +14V)
- 6
- 7
- 8

III
SCI-TXD
SCI-RXD
DIG. MASSE
UD (+12V)
UB +12V (SERVICE +14V)

II

- 7 LR+
- 8 LR-
- 5 LF+
- 6 LF-
- 3 RF+
- 4 RF-
- 1 RR+
- 2 RR-

LR+
LR-
LF+
LF-
RF+
RF-
RR+
RR-

ANLAGEVERSORGUNG
POWER SUPPLY

ANSCHLUSS-PLATTE
CONNECTOR-BOARD

PL 8289

PL 8012

