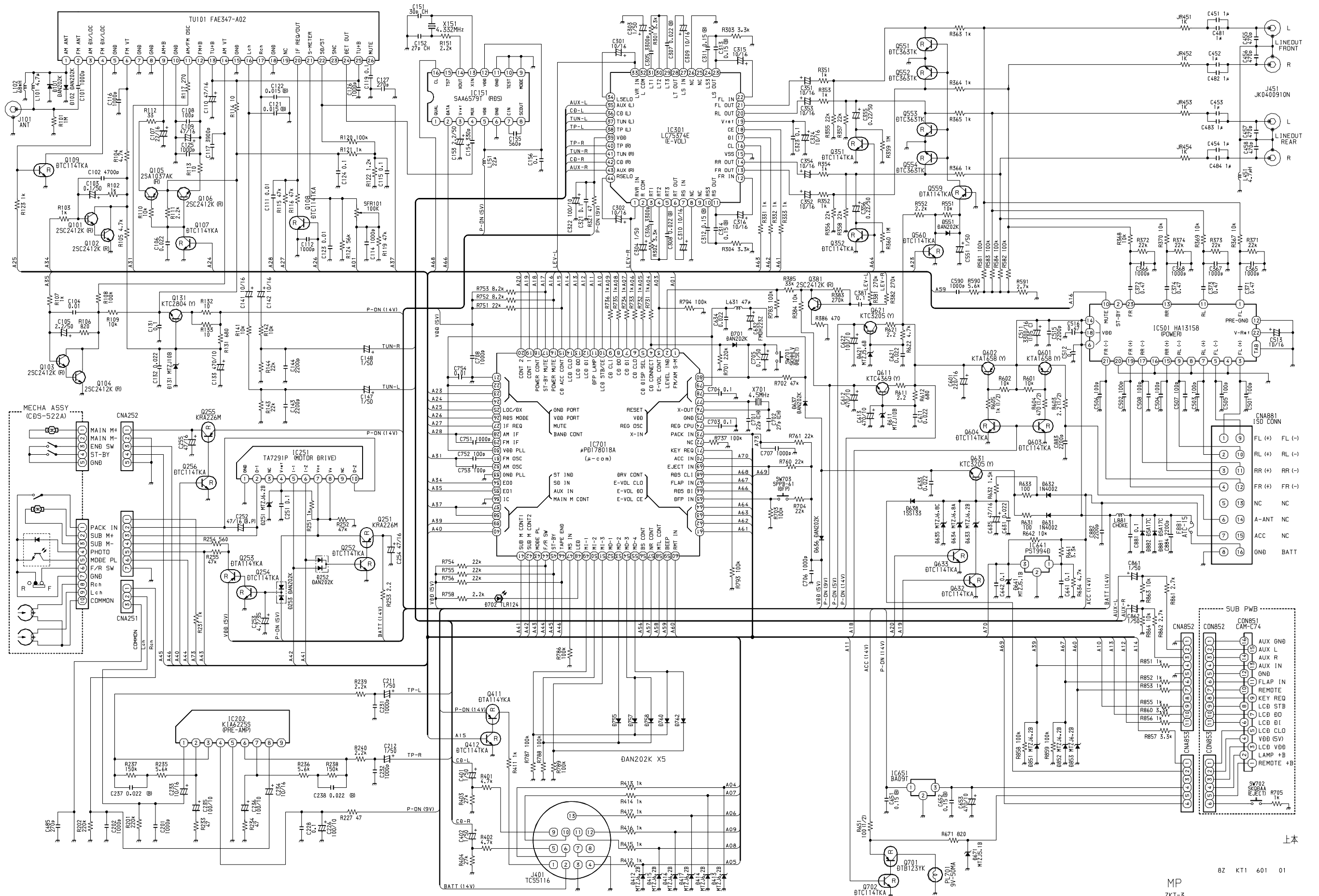


AIWA CT-FR 720M/FR729M SCHEMATIC DIAGRAM - 1 (MAIN)



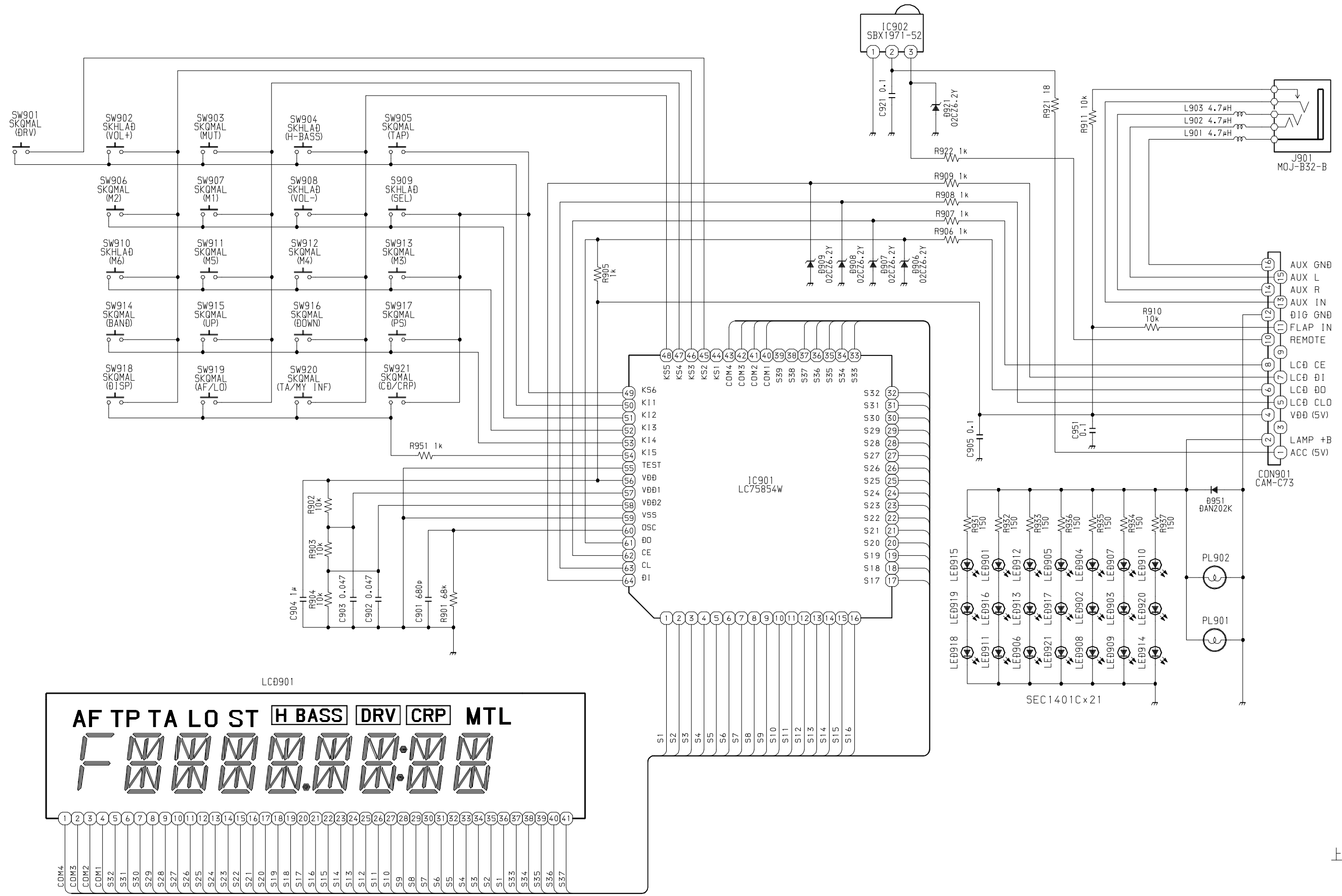
ZKT-3 (P1)

MP

82 KT1 601 01

25 FEB 1999

SCHEMATIC DIAGRAM - 2 (FRONT)



上本