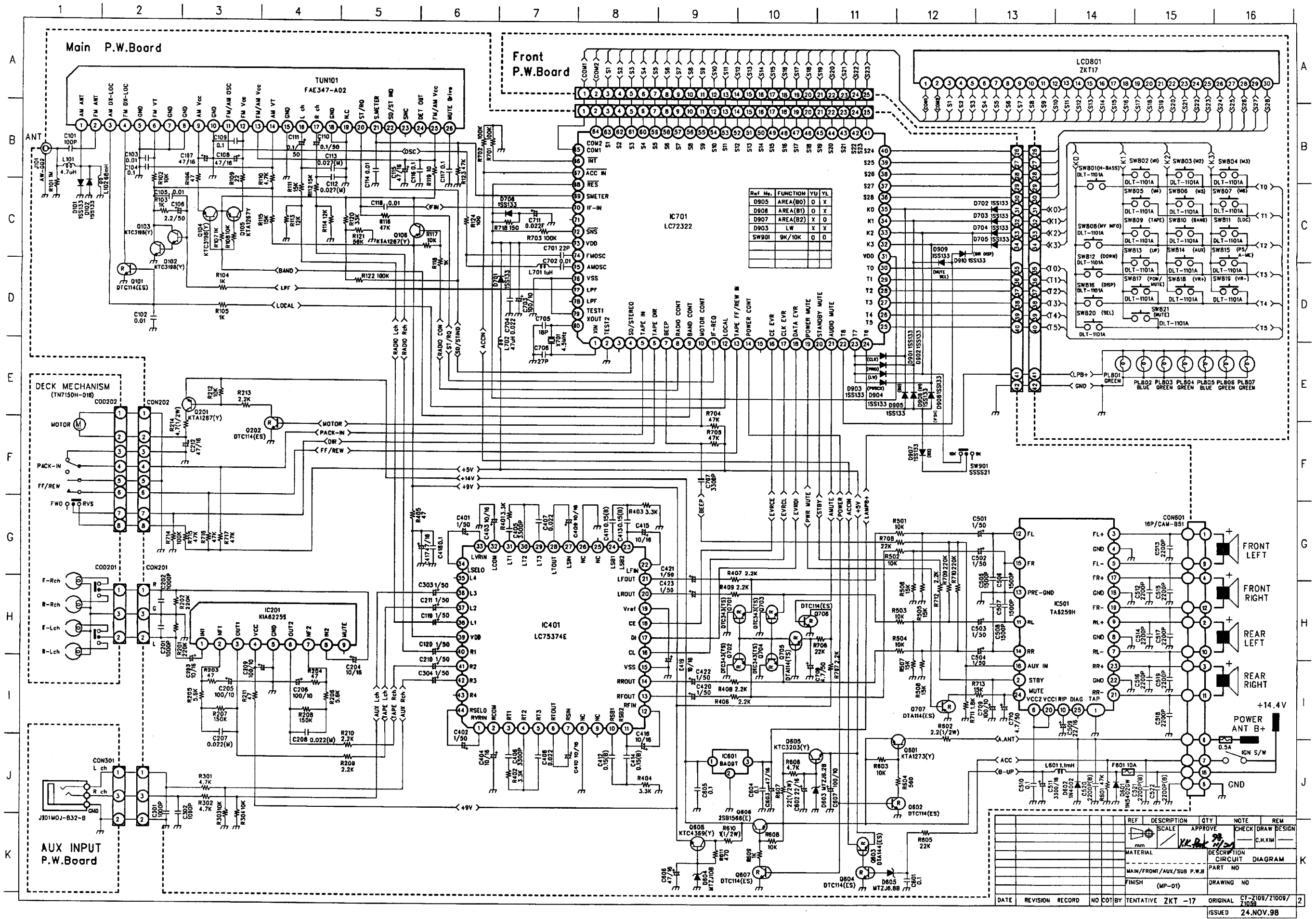


AIWA CT-Z 109/159 SCHEMATIC DIAGRAM _ 1 (MAIN / FRONT)



REF	DESCRIPTION	QTY	NOTE	REV
SCALE	APPROVE	CHECK	DRAW	DESIGN
MATERIAL	DESCRIPTION			
CIRCUIT DIAGRAM				
PART NO				
DRAWING NO				
(MP-01)				
DATE	REVISION	RECORD	NO	COT
TENTATIVE			ZKT	-17
ORIGINAL			CT-Z109/21009/	2
ISSUED			24.NOV.98	